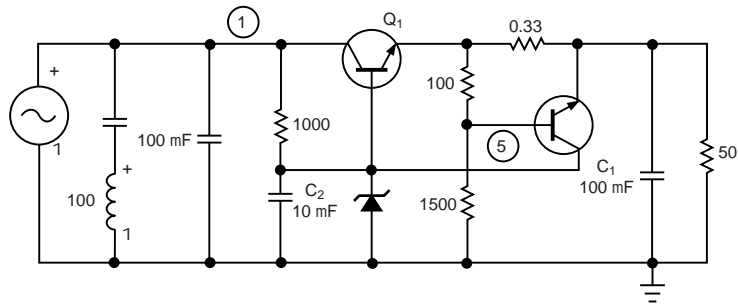


CAD technique helps tweak capacitor values

Figure 1



Simulations that step the values of C_1 and C_3 help to determine acceptable levels of ripple for a power-supply design.