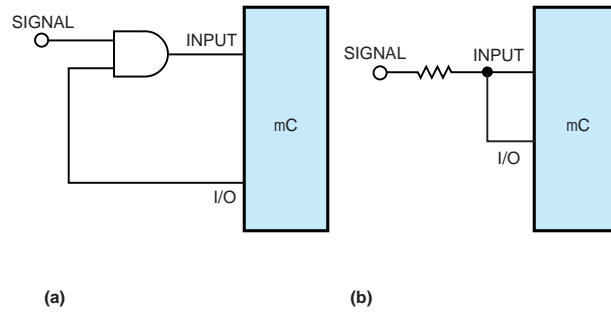


Replace an external gate with a resistor
Figure 1



Instead of using an external gate (a), you can reduce system costs in single-chip applications by using a resistor (b).