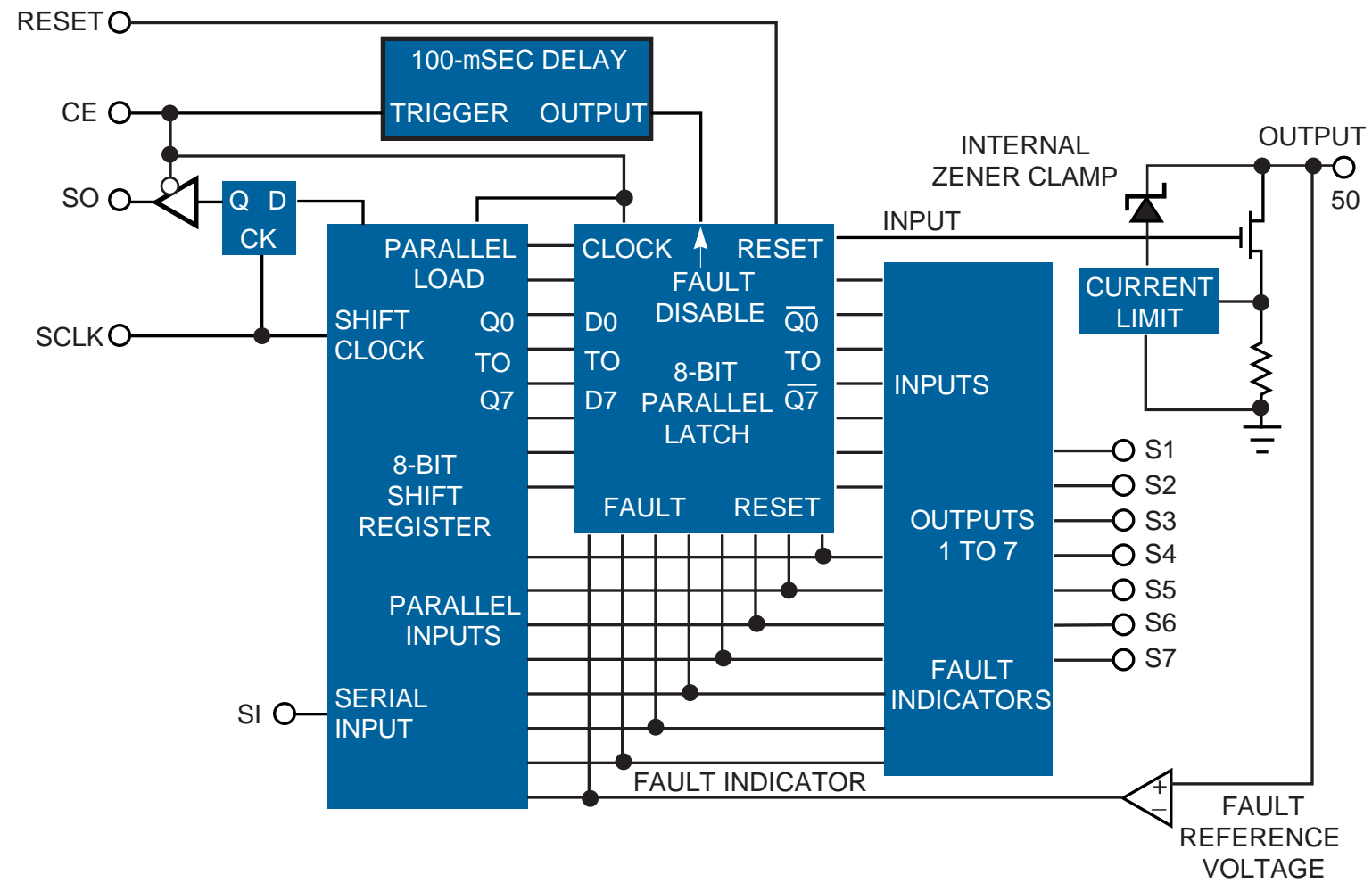


Figure 1



The bipolar-CMOS-DMOS L9822E octal low-side switch from STMicroelectronics accepts serial-data commands to drive eight 1A loads, such as relays or lamps.