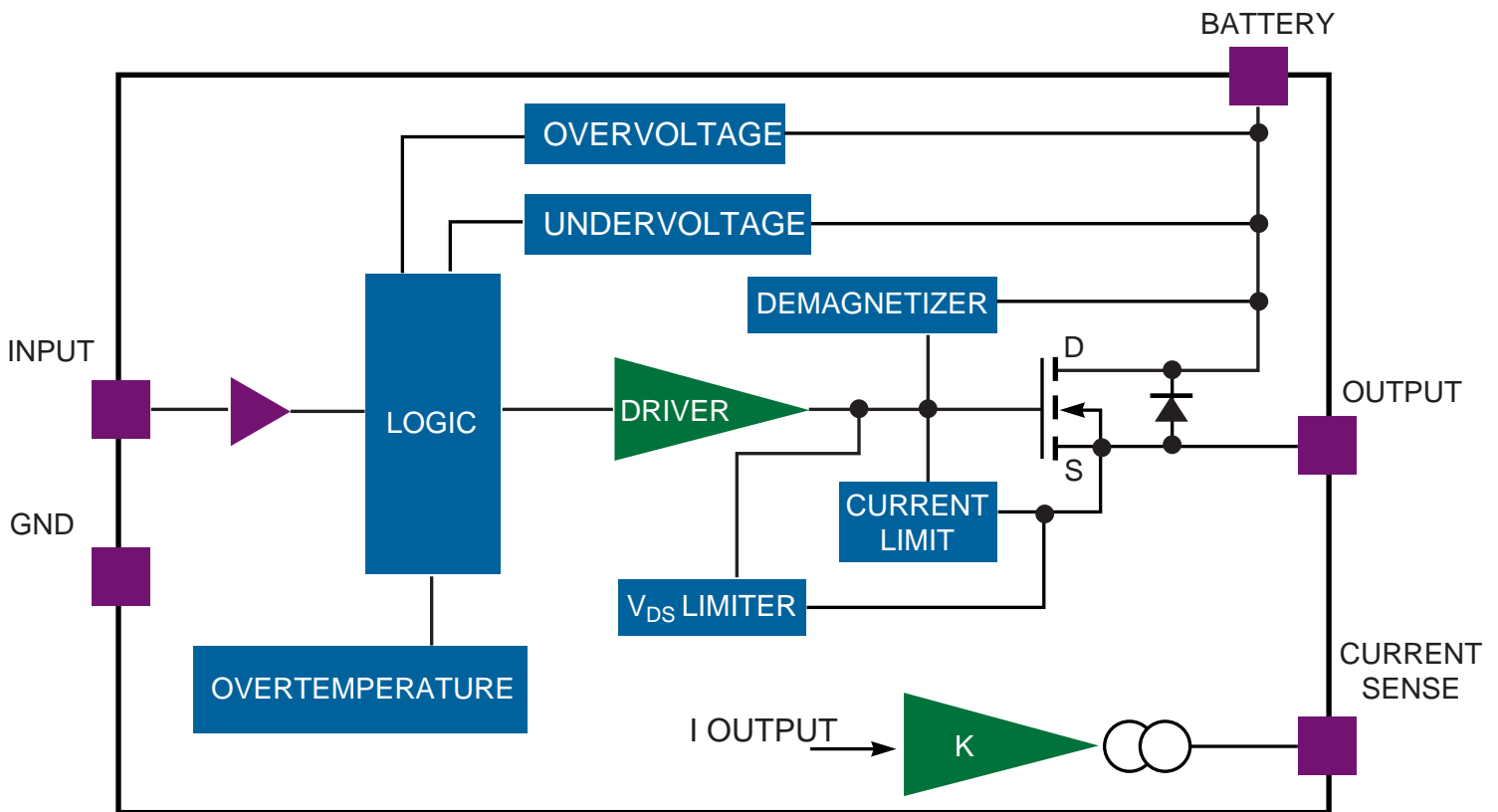


Figure 2



A "smart" solid-state relay, the VN 610 from STMicroelectronics incorporates charge-pump circuitry to derive its gate drive and includes complete current, voltage, and temperature protection.