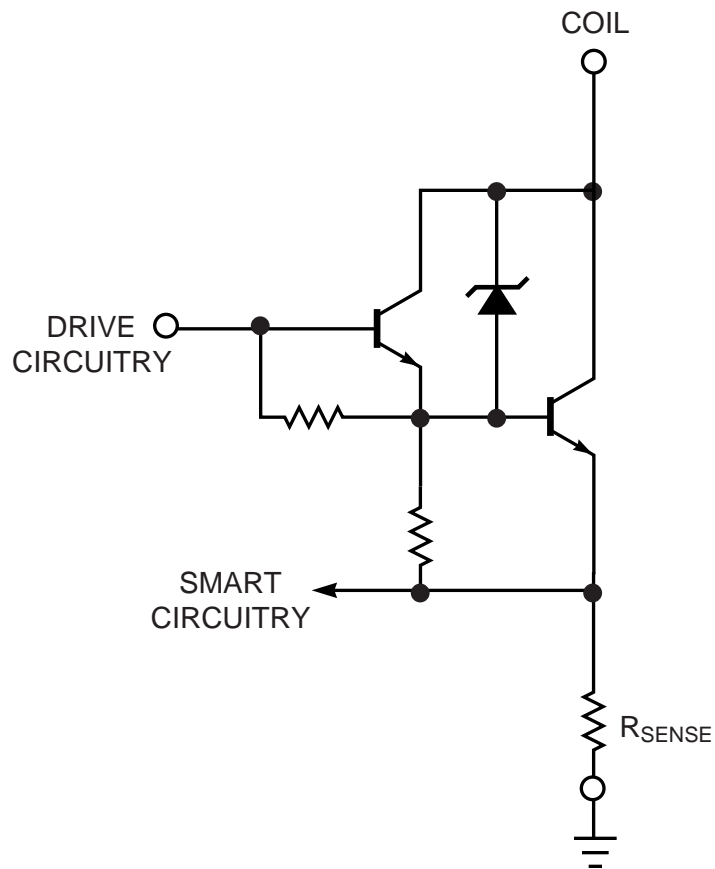


Figure 3



A bipolar Darlington transistor is the structure of choice in STMicroelectronics' coil-switching ICs. The ICs incorporate all the drive, diagnostics, and protection circuitry on the same chip as the Darlington.