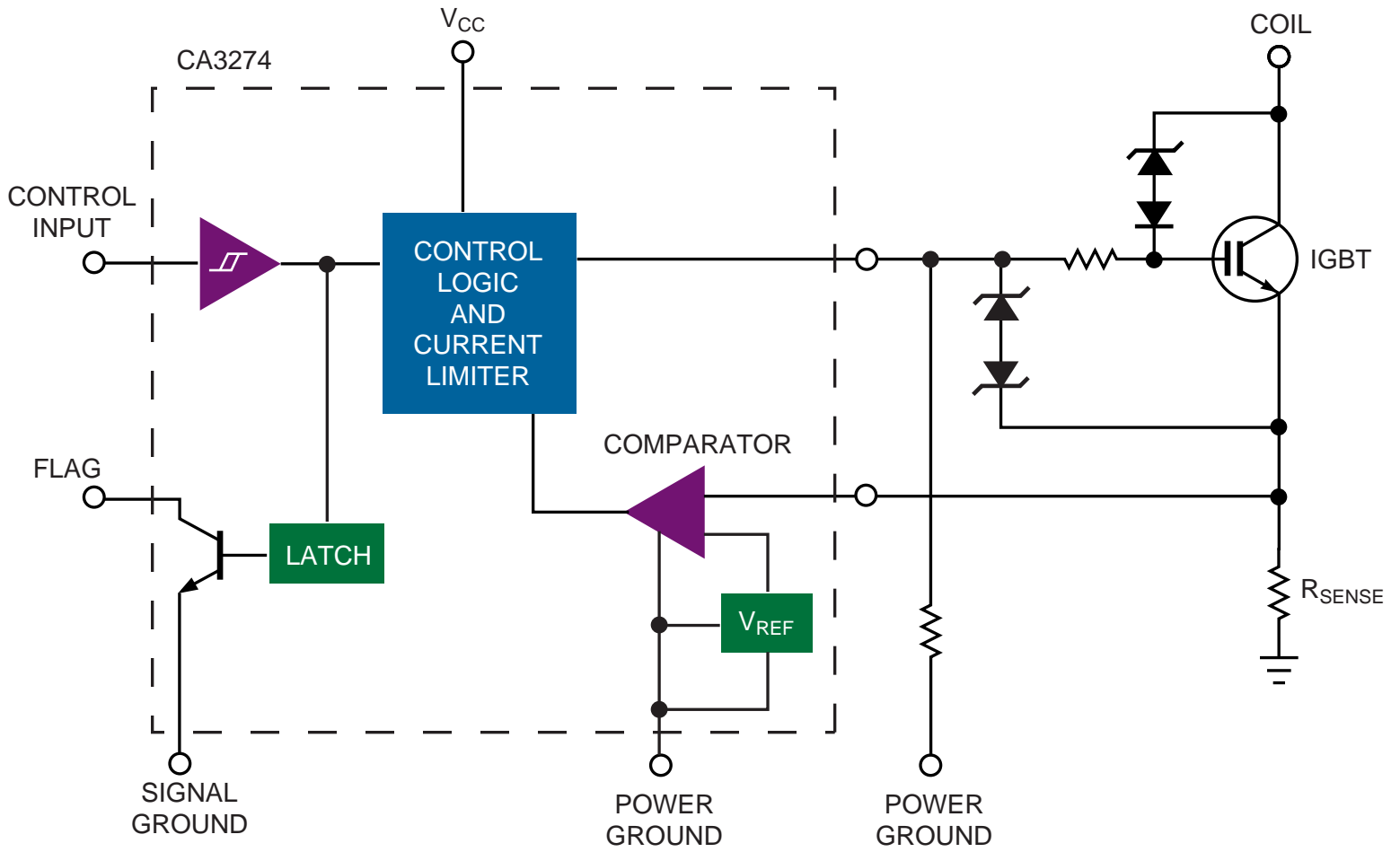


Figure 4



Harris Semiconductor proposes the use of an IGBT for coil switching. The CA3274 provides the control, drive, and current-sensing functions for the IGBT.