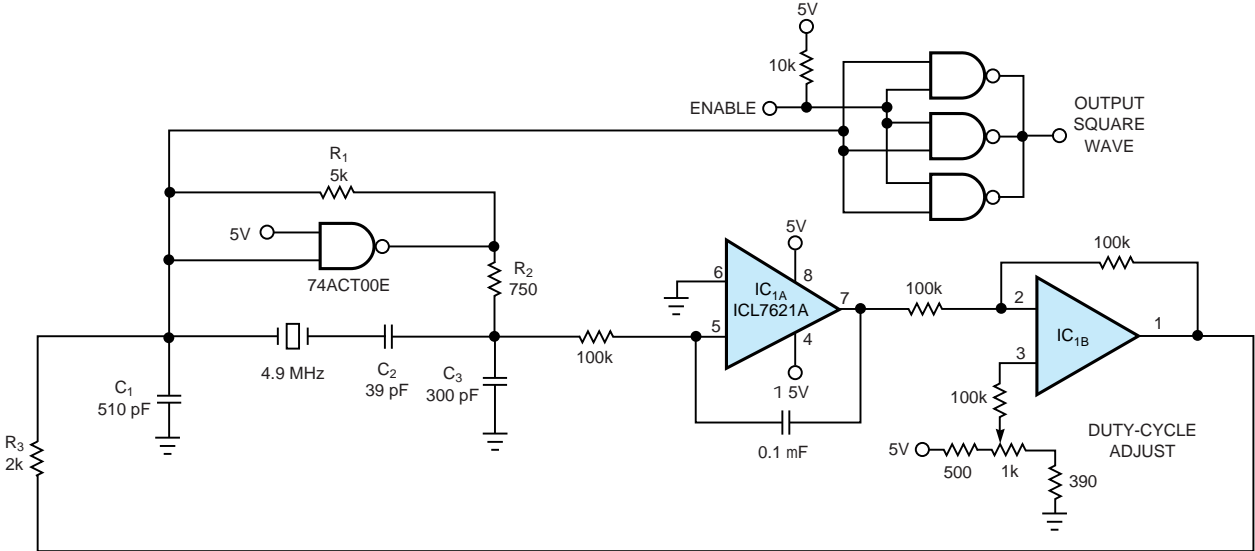


# Crystal oscillator overcomes typical drawbacks

Figure 1



For this crystal oscillator, three parallel gates drive heavy loads, the duty cycle is adjustable from 25 to 75%, and feedback minimizes the drift.