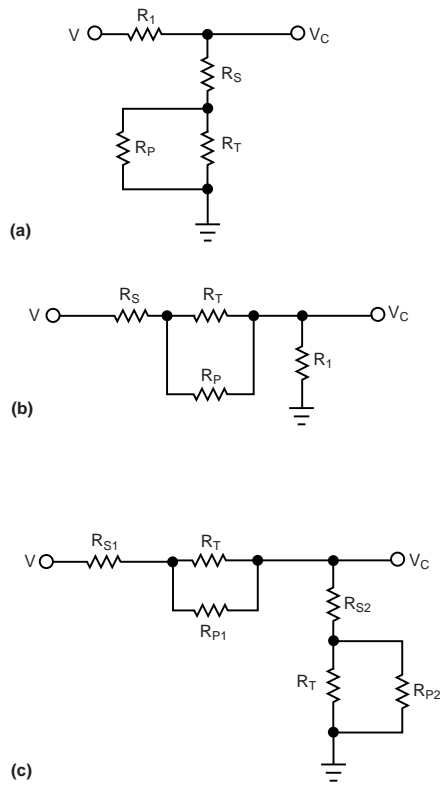


Attenuators nullify temperature deviations

Figure 1



Three simple temperature-controlled attenuators provide compensation for voltages that exhibit the following profiles as a function of temperature: a positive slope (a), a negative slope (b), and a C-shaped curve (c).