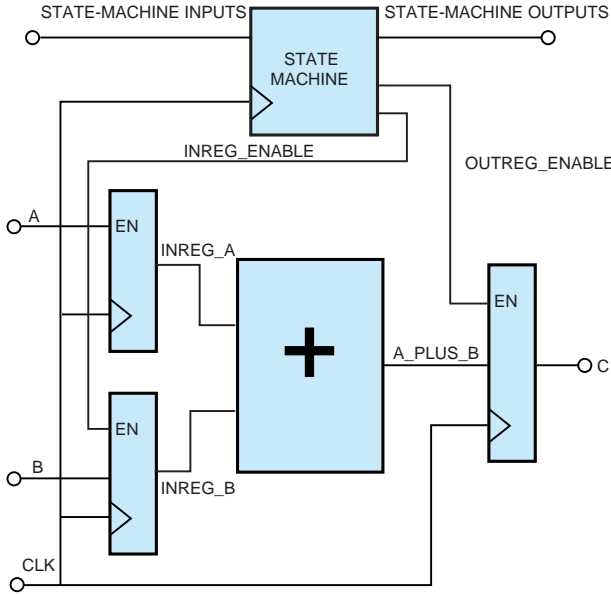


Don't let slow circuits slow down the system
Figure 1



The adder delay is 20 nsec; the state machine operates with a 15-nsec clock period.