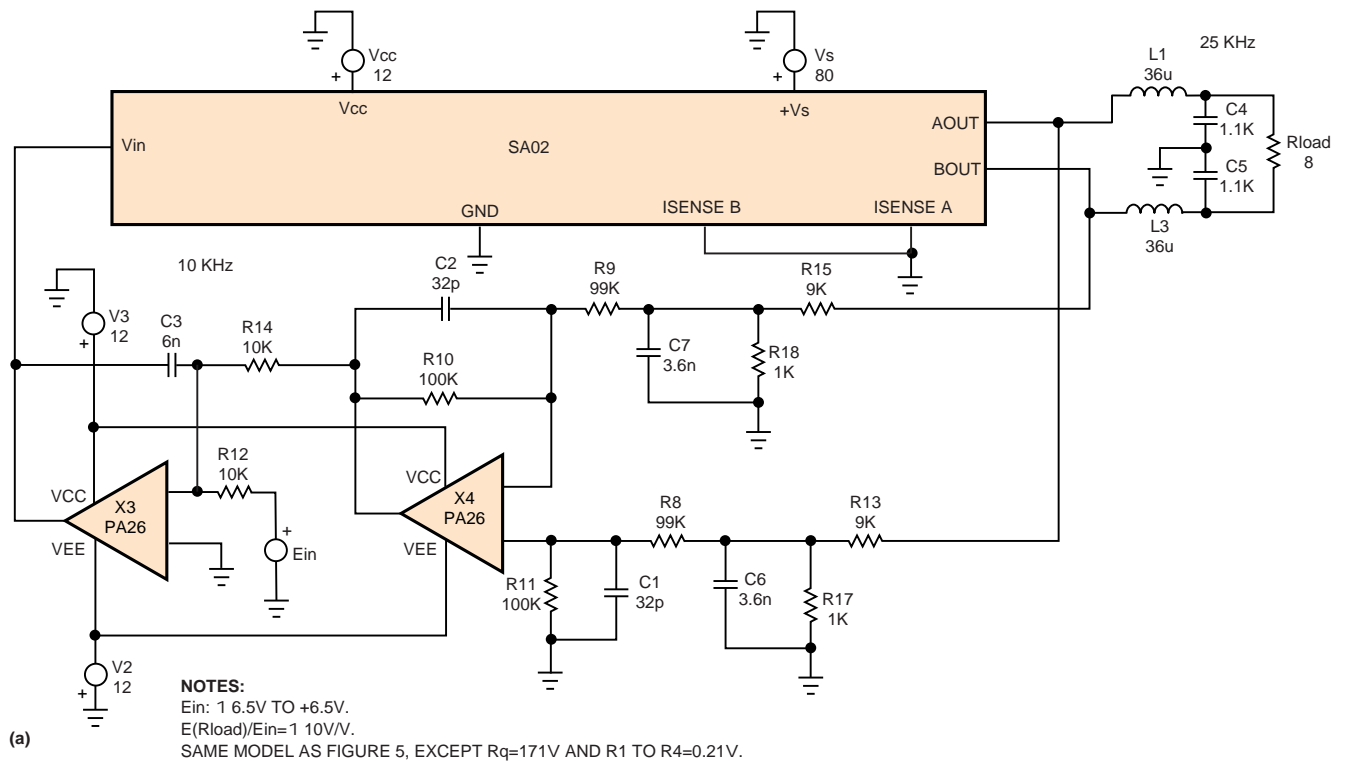


Figure 9a



A similar model using specifications from the SA02 amplifier is part of a constant-voltage feedback amplifier (a). The output sine wave takes about 50 $\mu$ sec to stabilize (b).