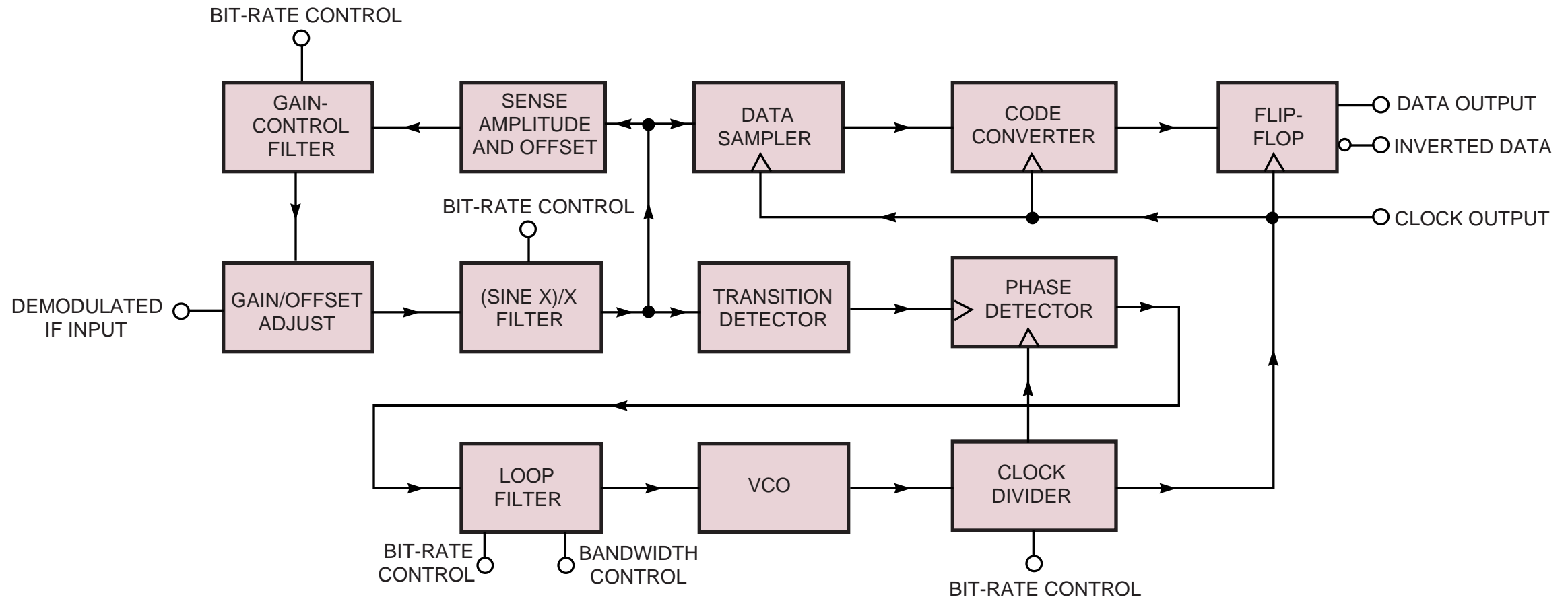


Figure 1



A bit synchronizer requires many functional blocks to generate a jitter-free clock at the same mean rate as the input data and to reject noise to reduce output-bit errors.