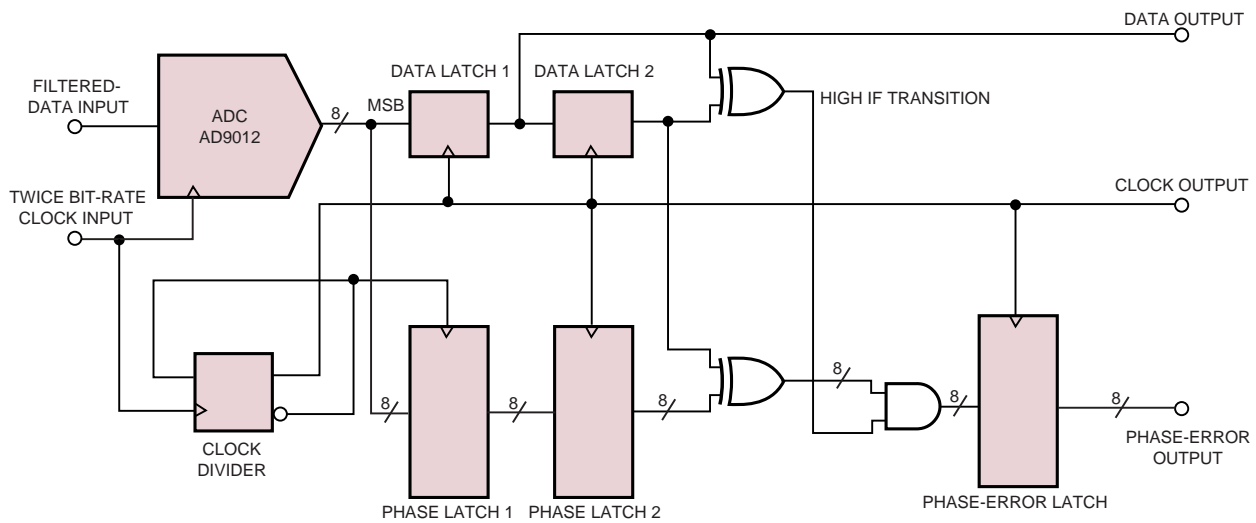


Figure 4



A flash ADC, a few gates, and a few latches form a phase detector with no sampling-time error. The AD9012 ADC works at 40 Mbps or faster.