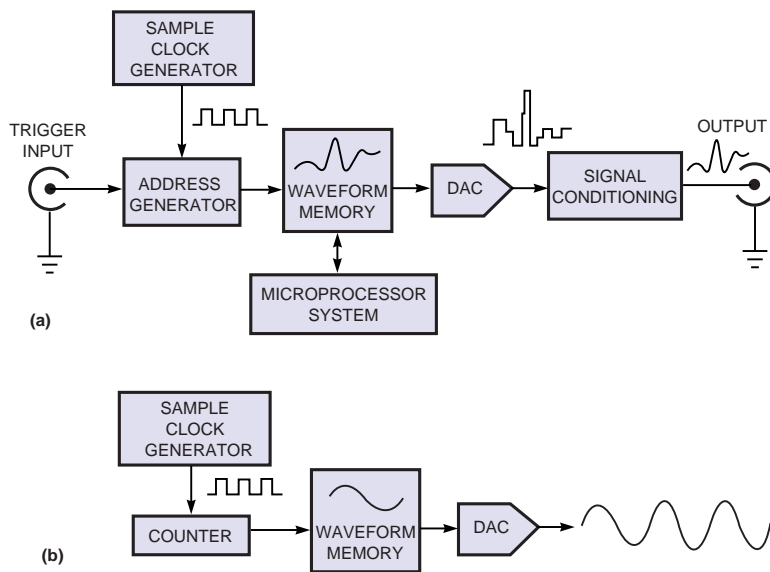


Figure 1



When reduced to the bare essentials, both arbitrary-waveform and synthesized-function generators share the architecture of (a). A basic ARB uses a clock generator like that of (b) (adapted from material furnished by Wavetek).