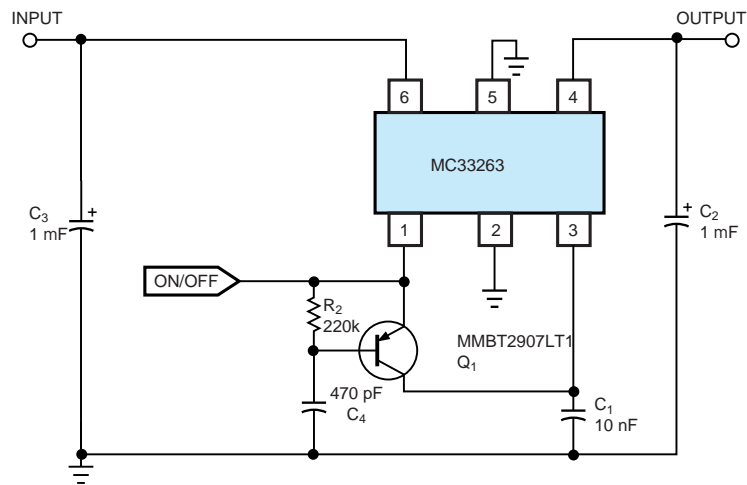


Transistor quickly wakes sleeping LDO Figure 1



An inexpensive transistor and two passive components drastically improve the wake-up-response time of a linear regulator.