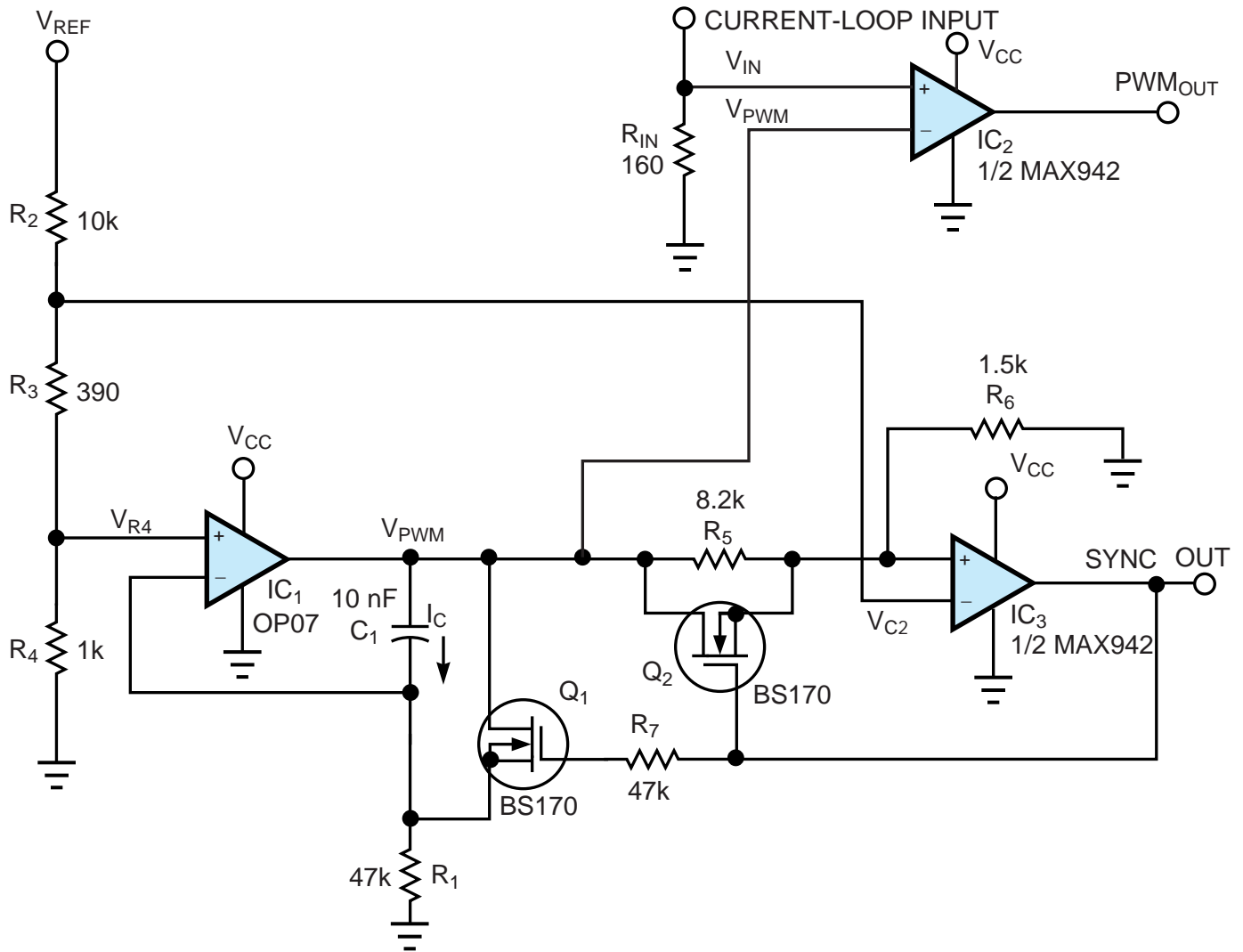


Circuits provide 4- to 20-mA PWM control
Figure 1



A free-running oscillator powers a current-loop controller for PWM signals. Duty cycle varies from 0 to 80% over the full-scale current range.