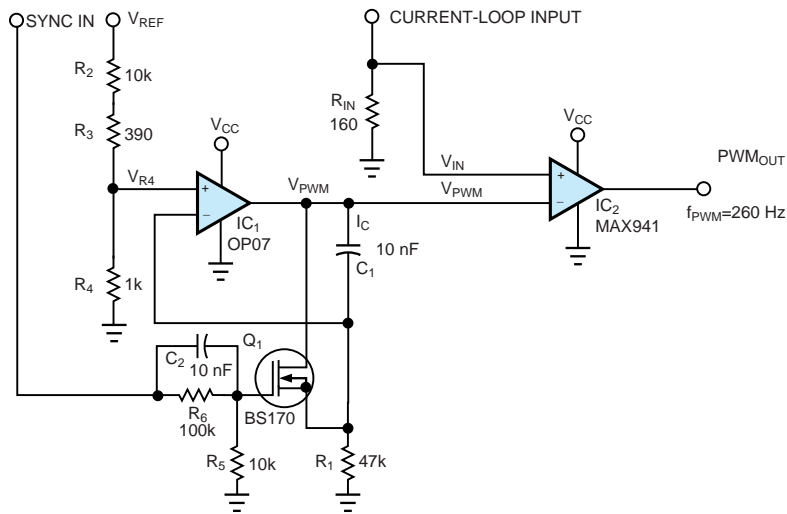


## Circuits provide 4- to 20-mA PWM control Figure 3



The circuit in Figure 1 provides a linear duty-cycle-versus-current function.  $V_{PWM}$ , a function of the current, determines the duty cycle.