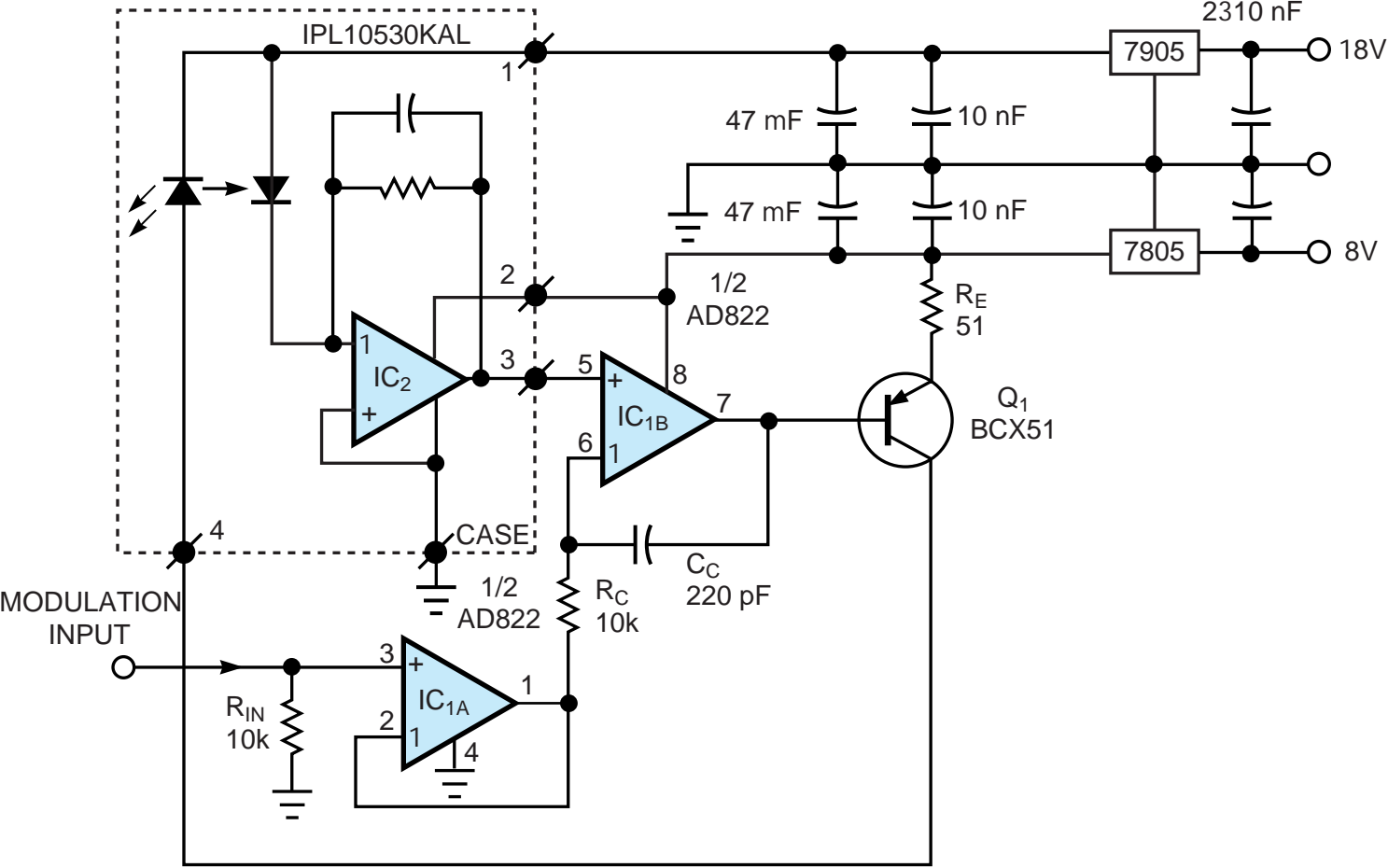


Circuit uses simple LED for near-IR light
Figure 1



A few inexpensive components connected to a detector/emitter module enable you to obtain precise control of near-IR emitted light.