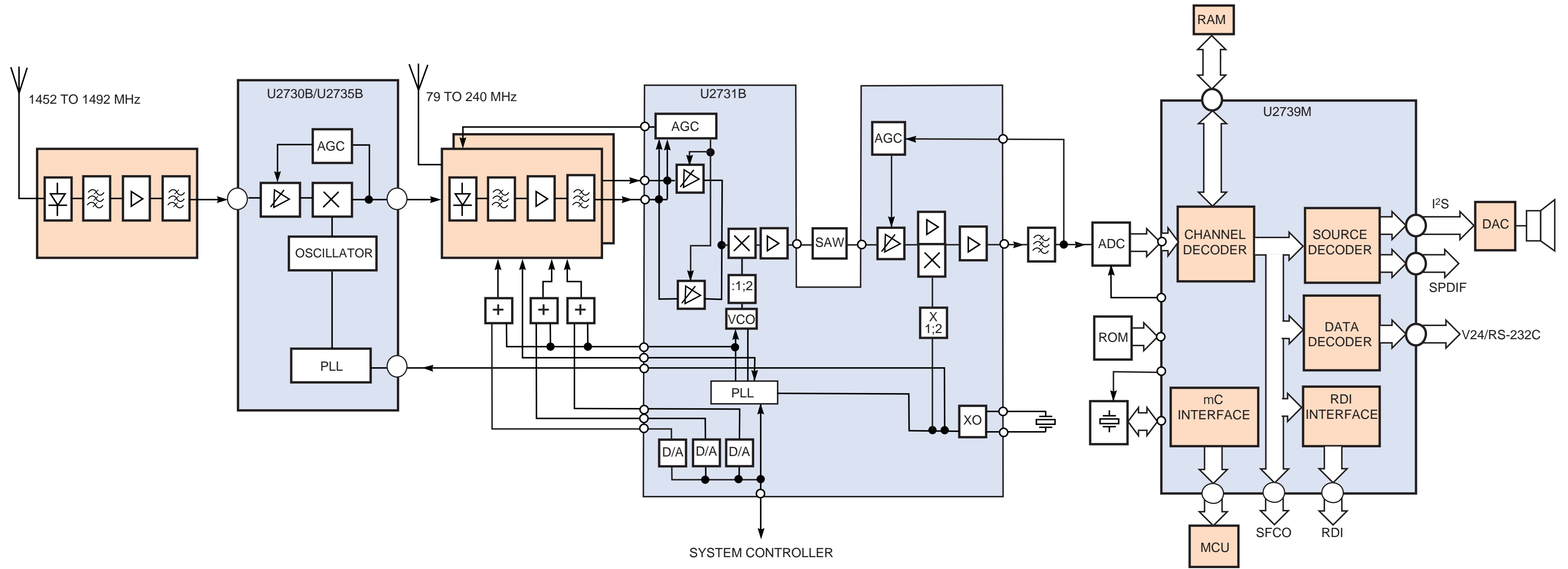


Figure 2



Temic's Eureka-147 DAB chip set demonstrates today's integration level for a practical dual-band receiver.