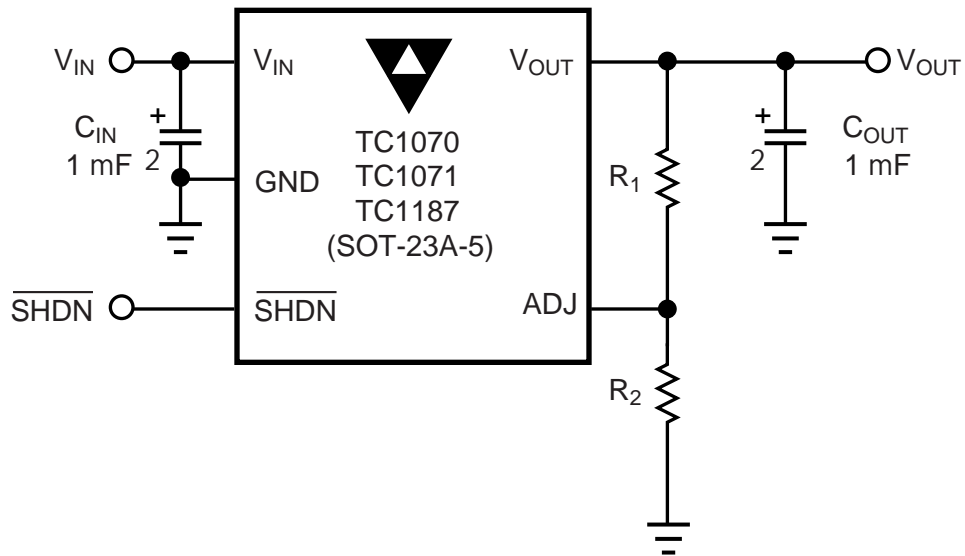


**Figure 1**



**In a typical adjustable LDO feedback circuit, resistors  $R_1$  and  $R_2$  set the output voltage.**