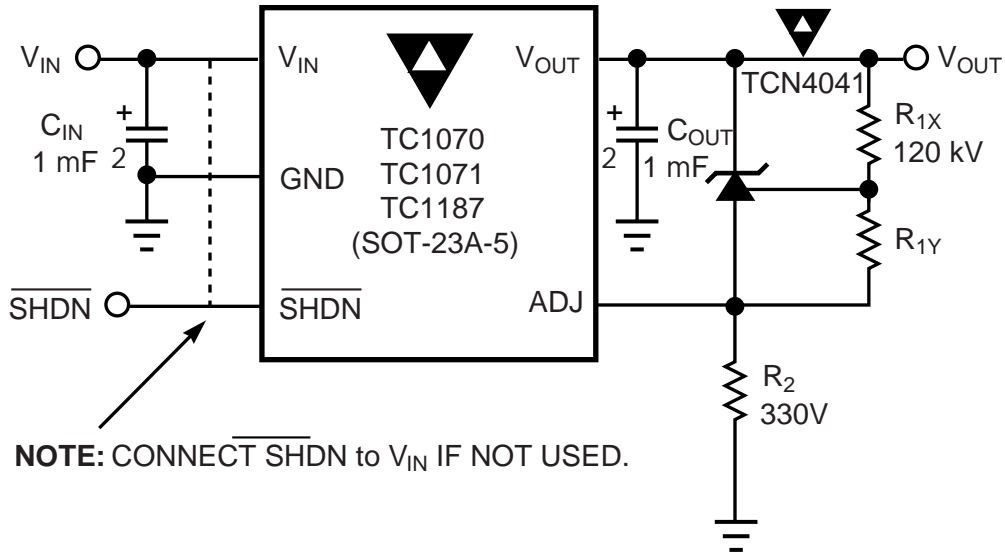


**Figure 2**



**You can use an adjustable reference for the LDO to improve  $V_{OUT}$  accuracy.**