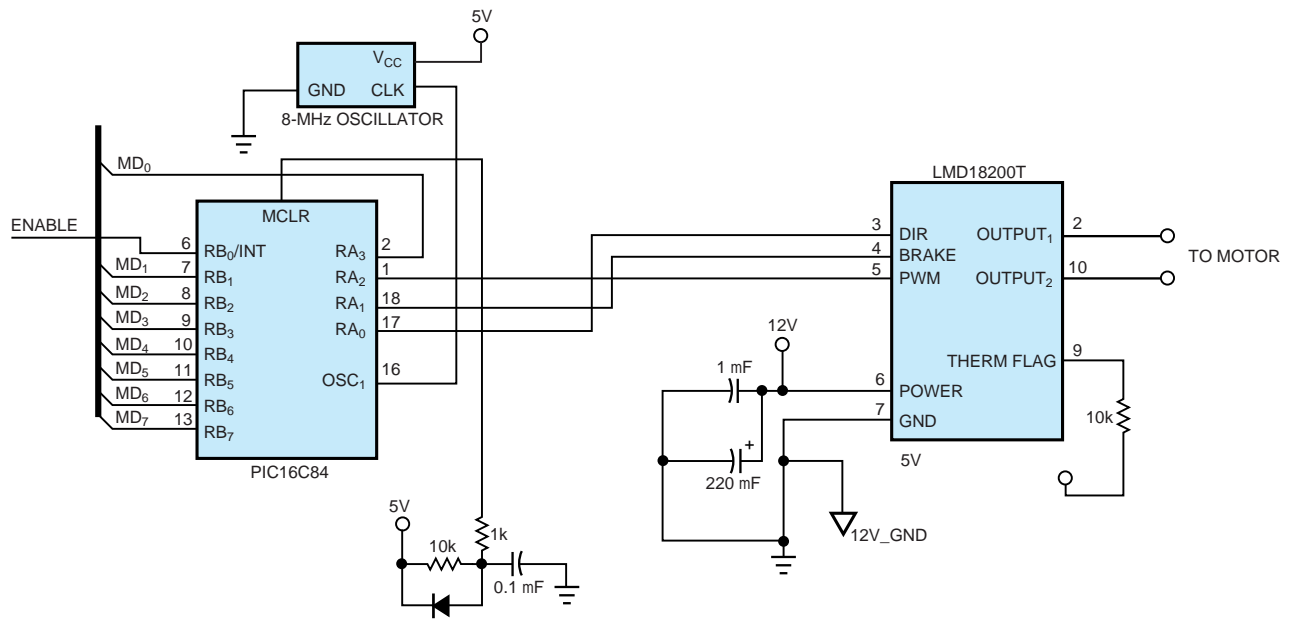


**Figure 1**



**One low-cost  $\mu$ C can operate as a dedicated motor-control register.**