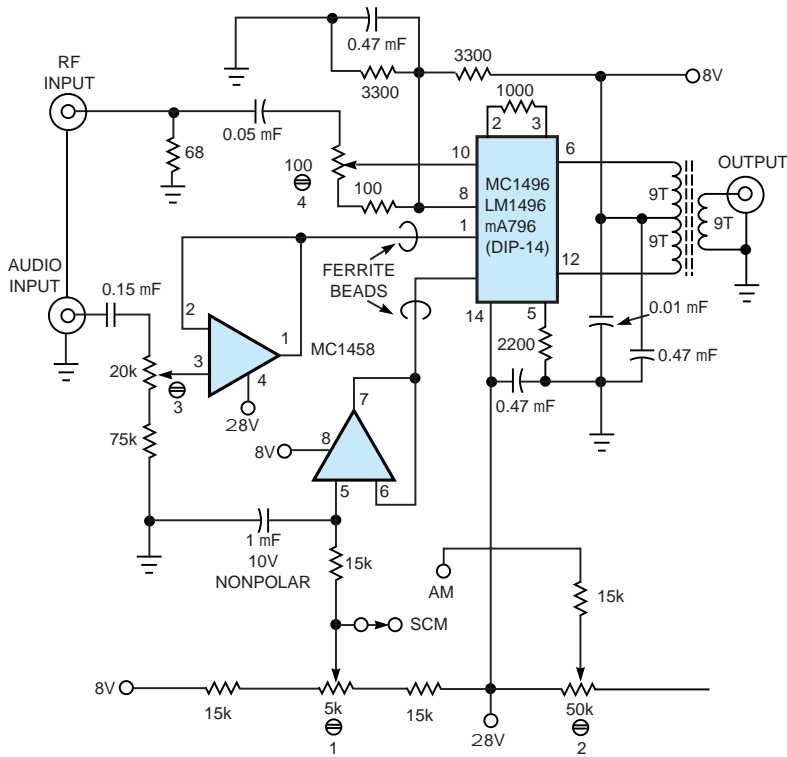


Figure 1



A few trimpots, a toroidal transformer, and a dual op-amp interface with a modulator IC to form a linear, high-bandwidth AM modulator.