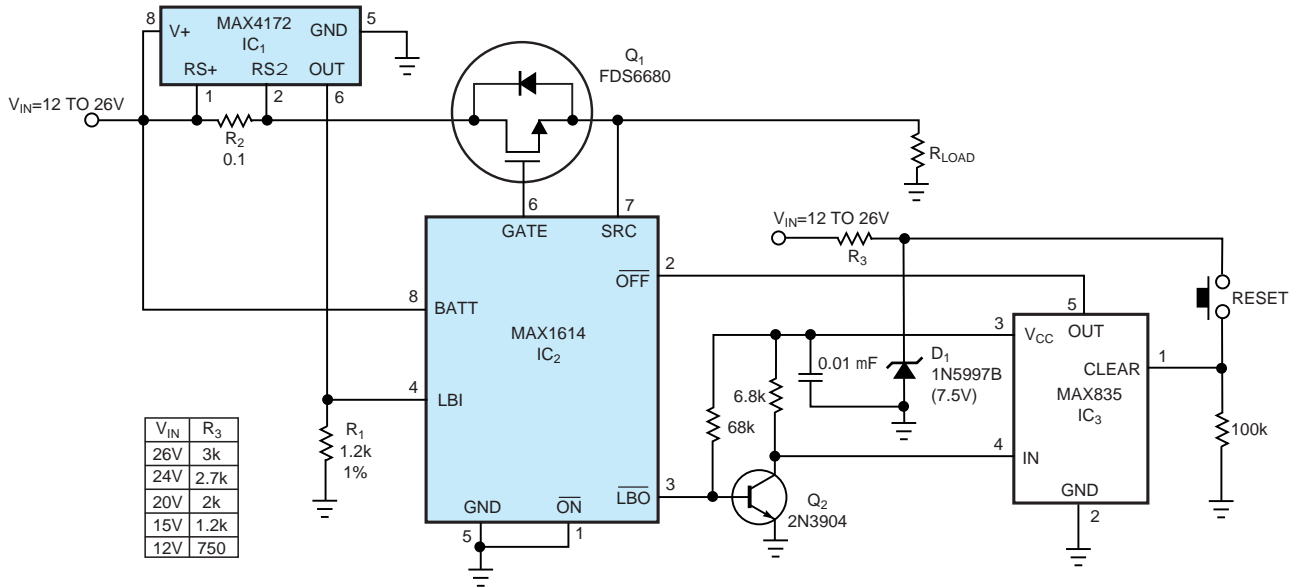


Figure 1



NOTE: ALL RESISTORS ARE 5% UNLESS OTHERWISE SPECIFIED.

This circuit provides overcurrent protection for supply-rail voltages to 26V.