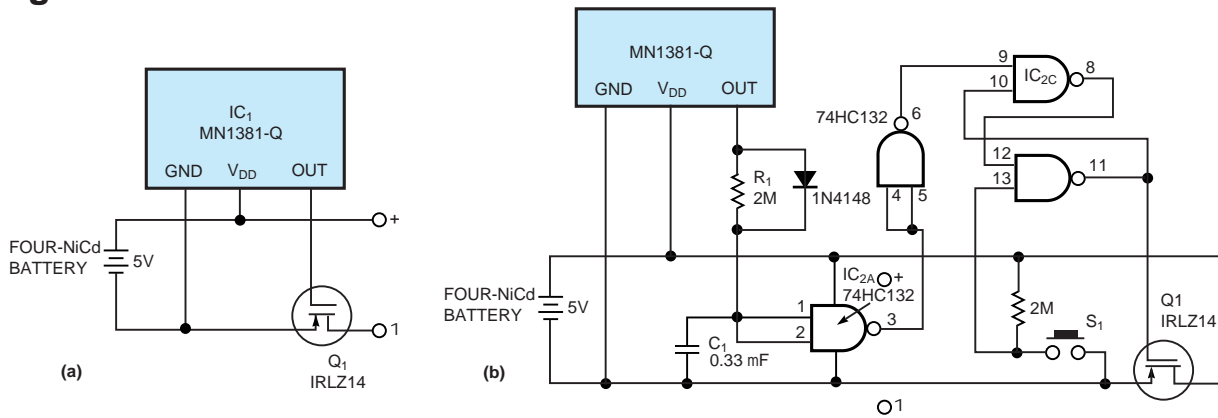


Figure 1



These low-battery-detect circuits cut off when the voltage is lower than 4V and consume approximately 1.2 μ A.