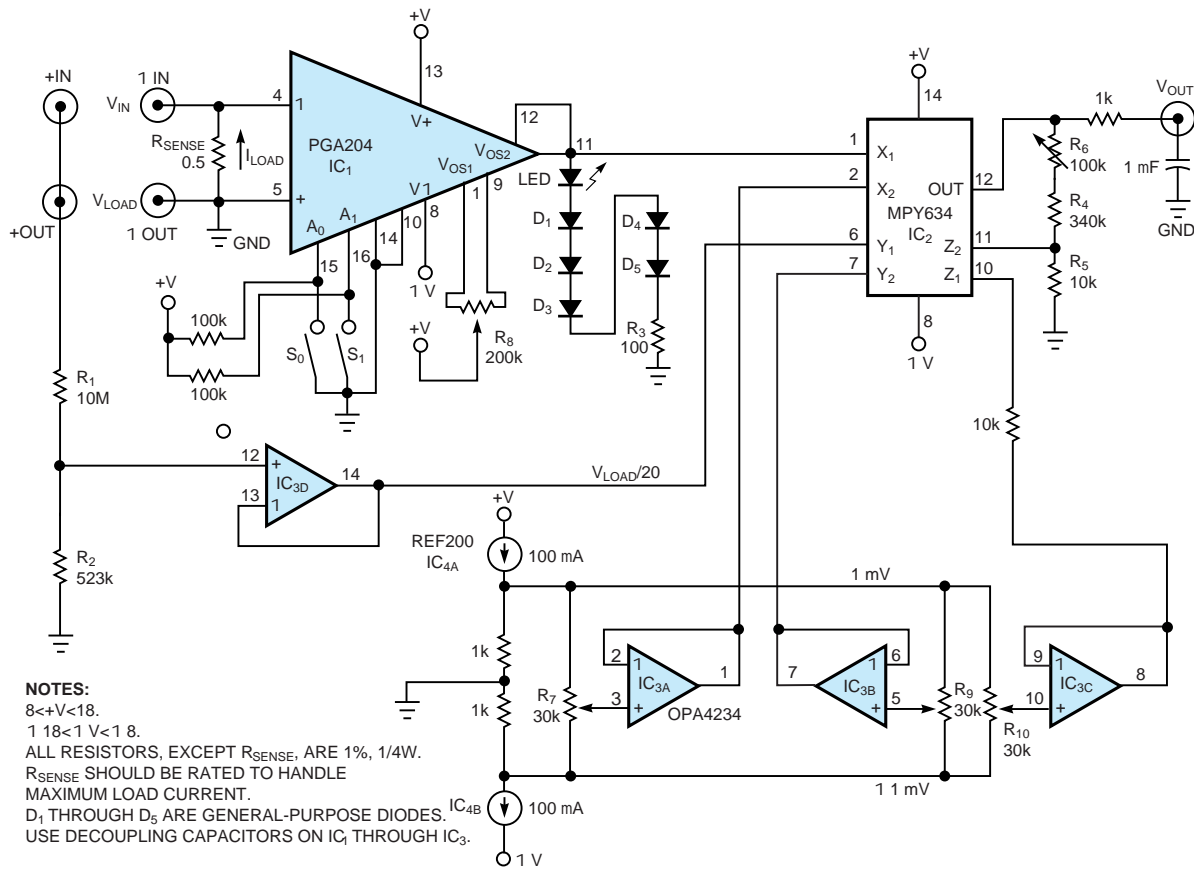


**Figure 1**



**A programmable-gain amplifier, an analog multiplier, and a handful of other active and passive components implement a benchtop, multirange power meter.**