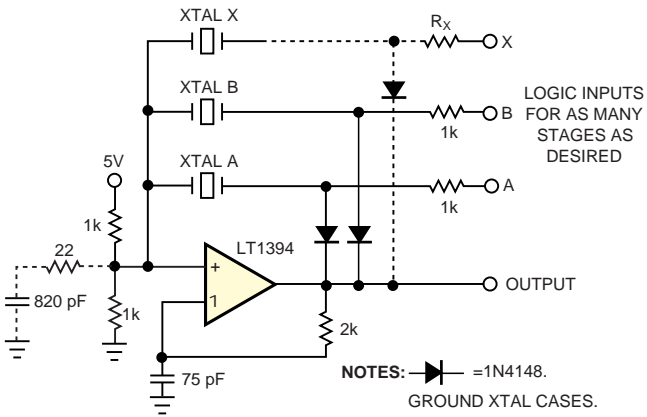


**Figure 1**



**Biasing one of the logic inputs high places the associated crystal in the feedback path to make a switchable-output crystal oscillator.**