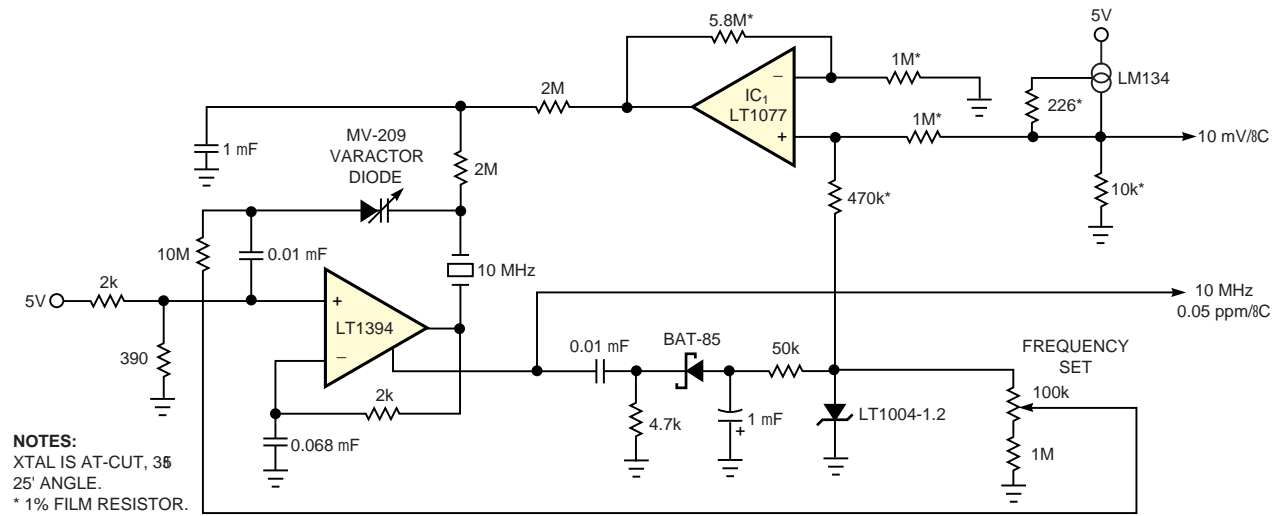


**Figure 2**



**The temperature-dependent bias of the varactor diode reduces this 10-MHz crystal oscillator's drift by 20 to 1.**