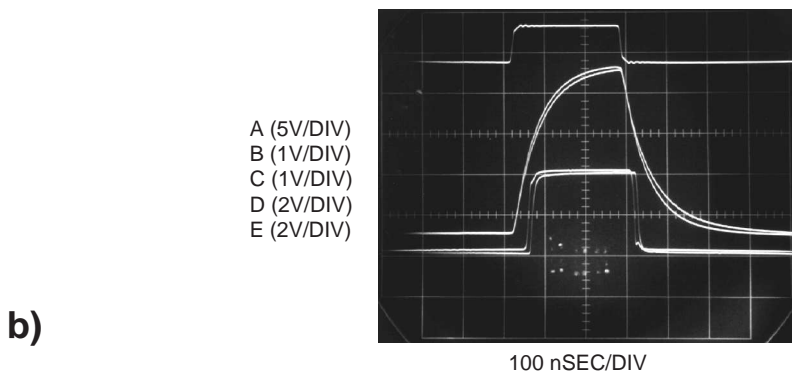
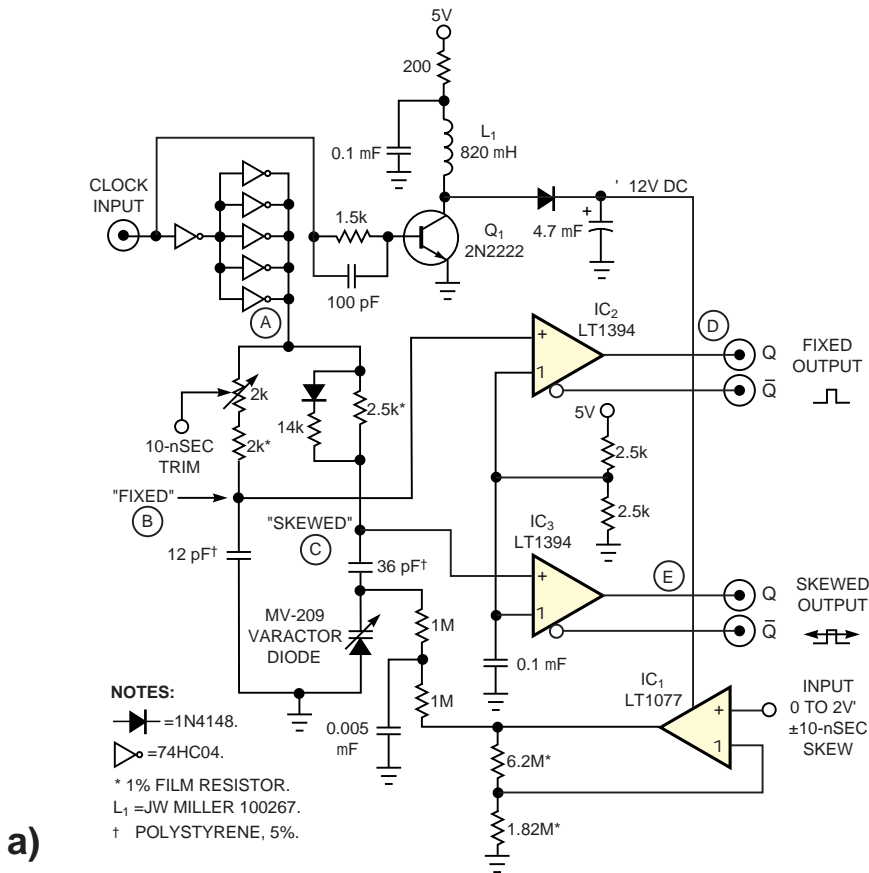


Figure 4



Comparators IC₂ and IC₃ extract phase-difference information from the varactor-tuned bridge to implement a voltage-tunable clock-skew generator (a). Waveforms show the fixed and skewed outputs, traces D and E, respectively (b).