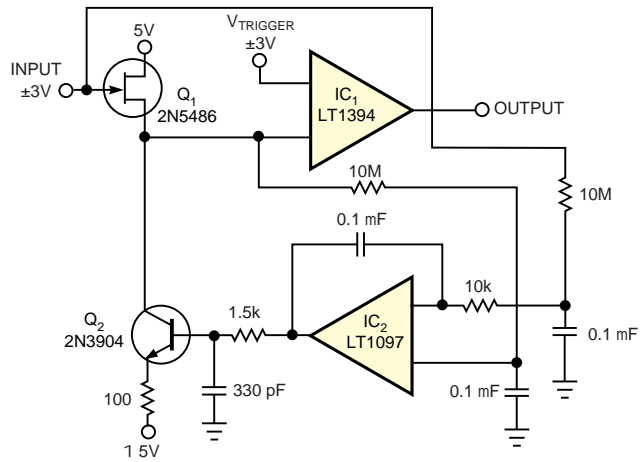


Figure 5



Buffer Q₁ provides a 2-pF, 50-pA high-input-impedance characteristic to IC₁'s fast trigger. V_{TRIGGER} adds a variable threshold at the comparators' negative input.