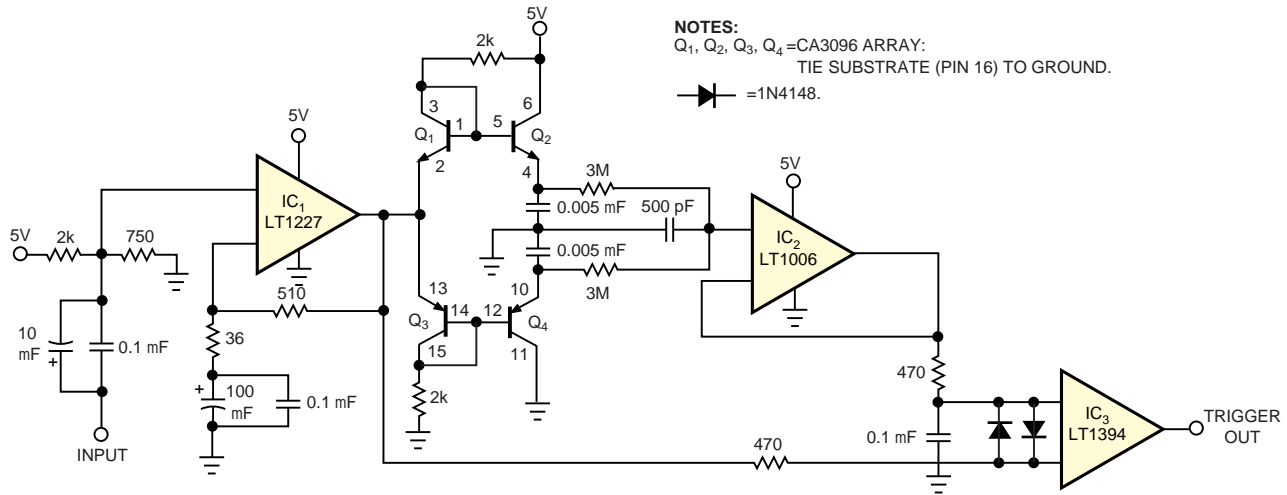


Figure 6



In this 45-MHz, single-supply adaptive trigger, the output comparator's threshold varies ratiometrically with the input amplitude to maintain data integrity over a more than 85-to-1 input-amplitude range.