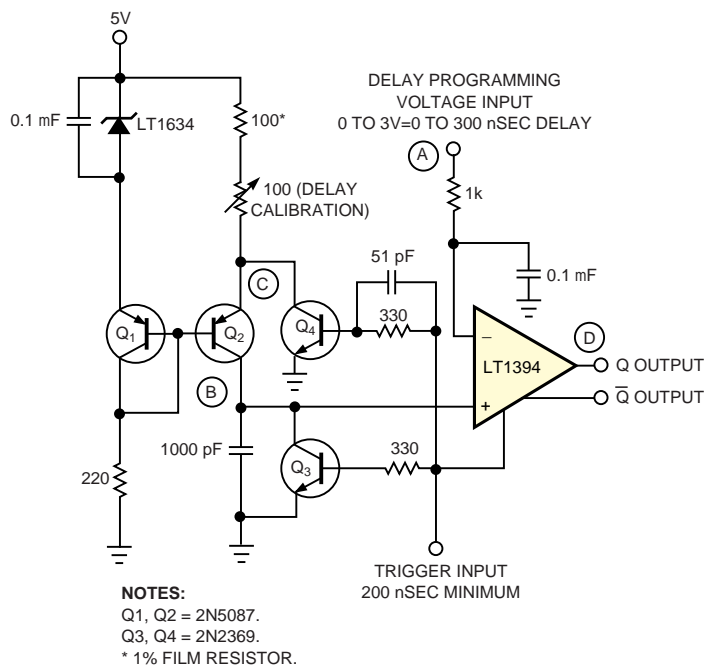
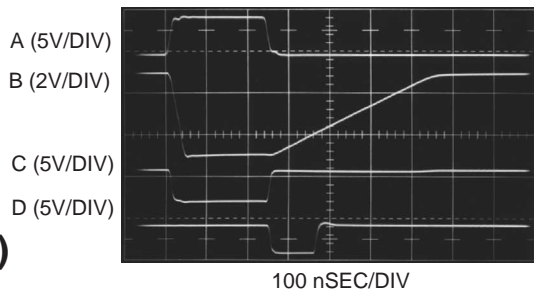


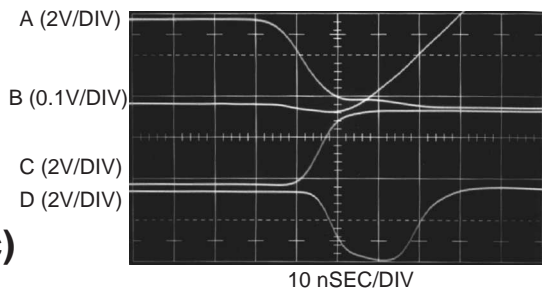
**Figure 8**



**a)**



**b)**



**c)**

**Pairing an emitter-switched current source with a fast comparator (a) produces a fast voltage-controlled-delay circuit with a precise delay time (b). Expanded waveforms (c) show the exact timing relationships.**