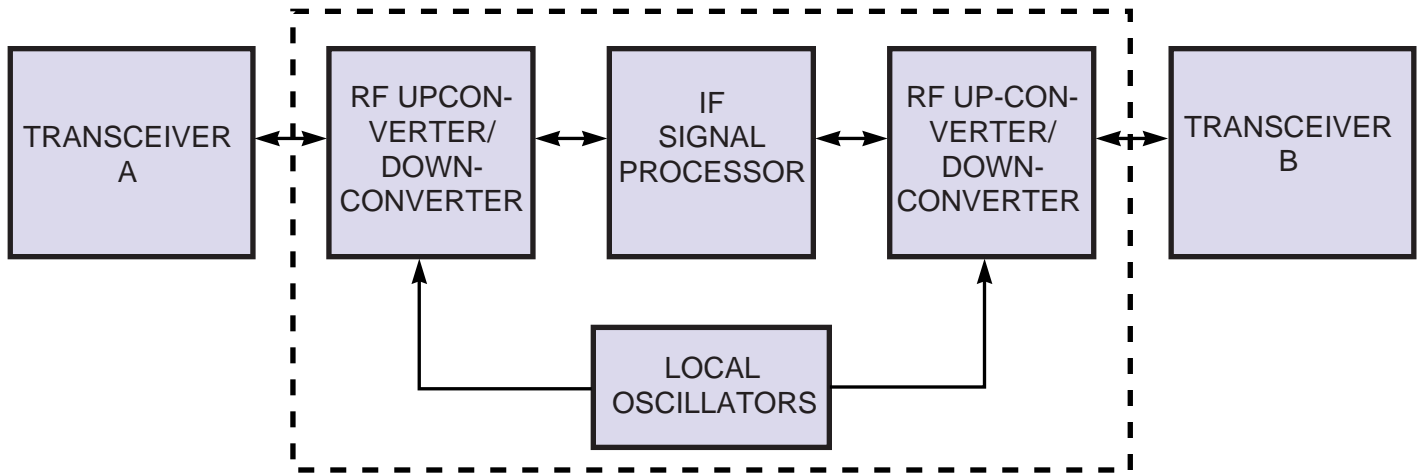
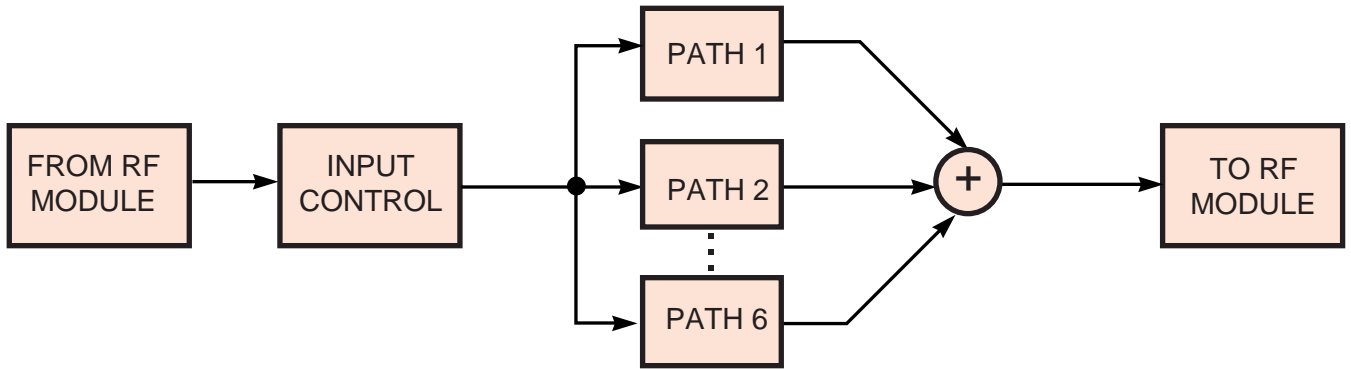


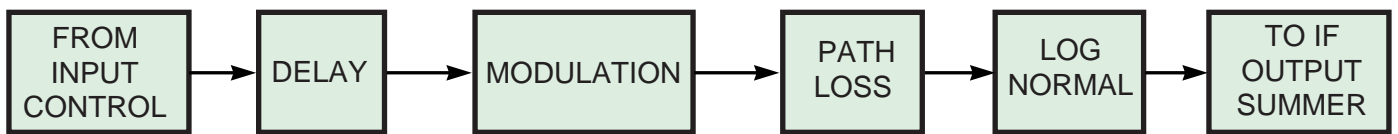
Figure 4



(a) TAS 4500 FLEX



(b)



(c)

With the TAS 4500, a downconverter and upconverter bracket the IF signal processor (a), which consists of multiple signal paths (b), each with independent parameters (c).