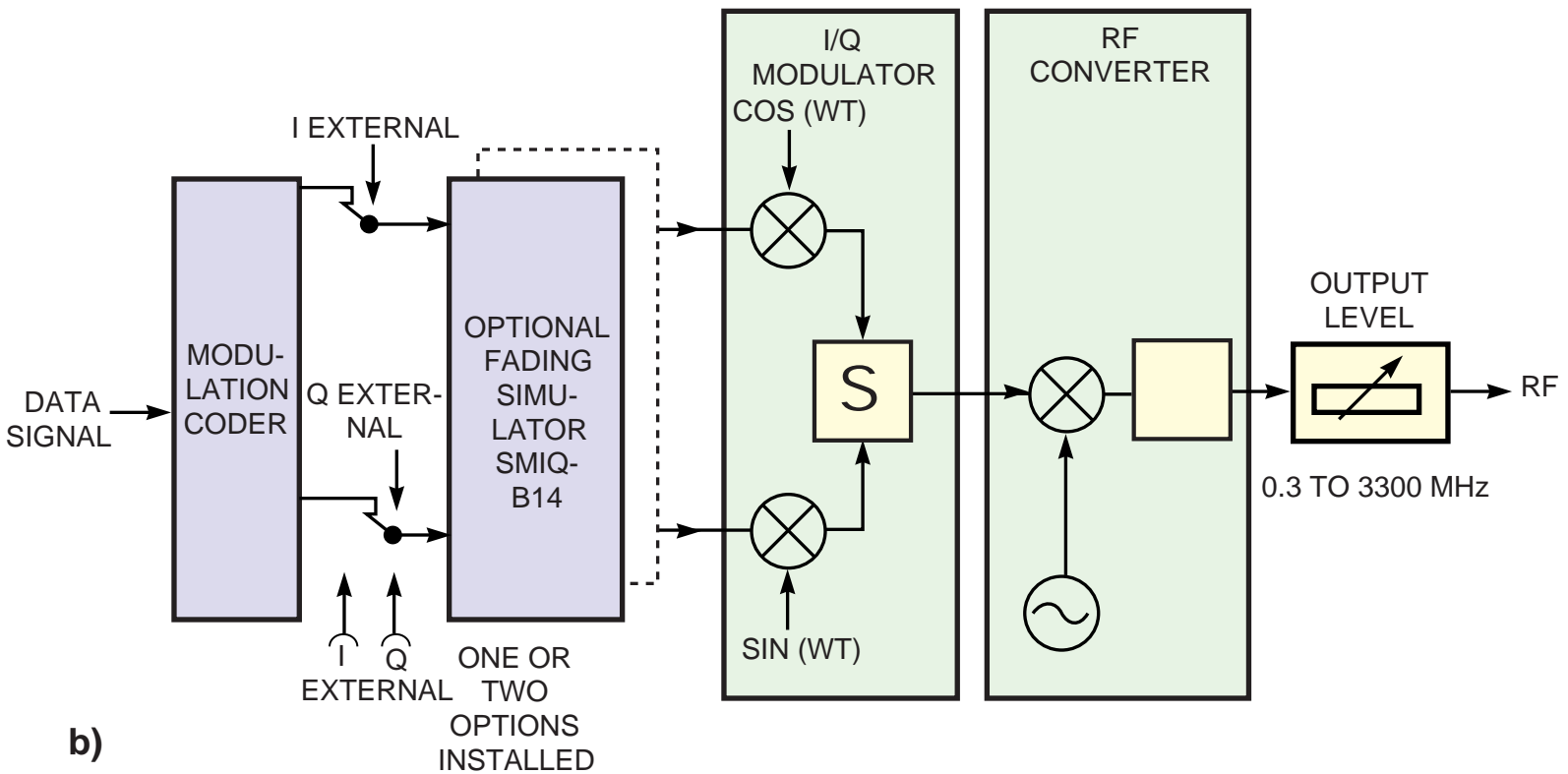


Figure 7



a)



The Tektronix/Rohde & Schwarz SMIQ vector-signal generator (a) includes sources for TDMA and CDMA signals, analog and digital I/Q modulation, and an optional fading simulator for six (or 12) fade paths (b).