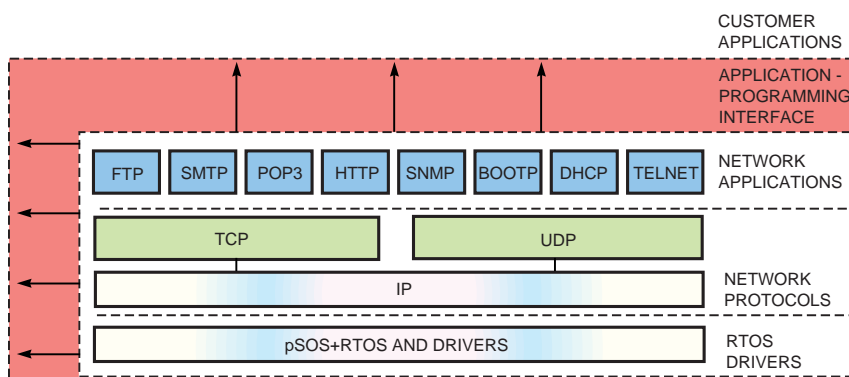


Figure 4



NOTE: BOOTP=BOOTSTRAP PROTOCOL.

The NET+ARM ASIC from Osicom includes software for Ethernet file transfer, e-mail, and network addressing, along with Integrated Systems' pSOS+ RTOS.