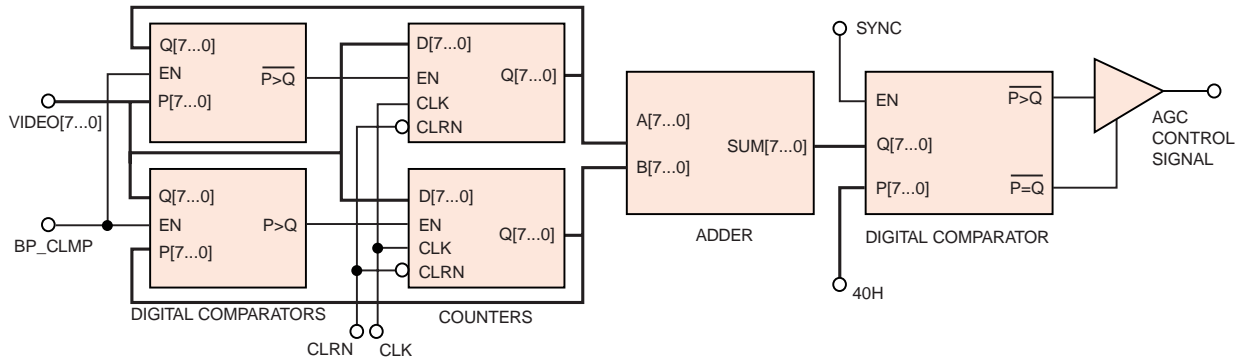


Figure 3



The digital AGC controller includes two peak-detectors, which consist of comparators and counters, an adder, and another comparator.