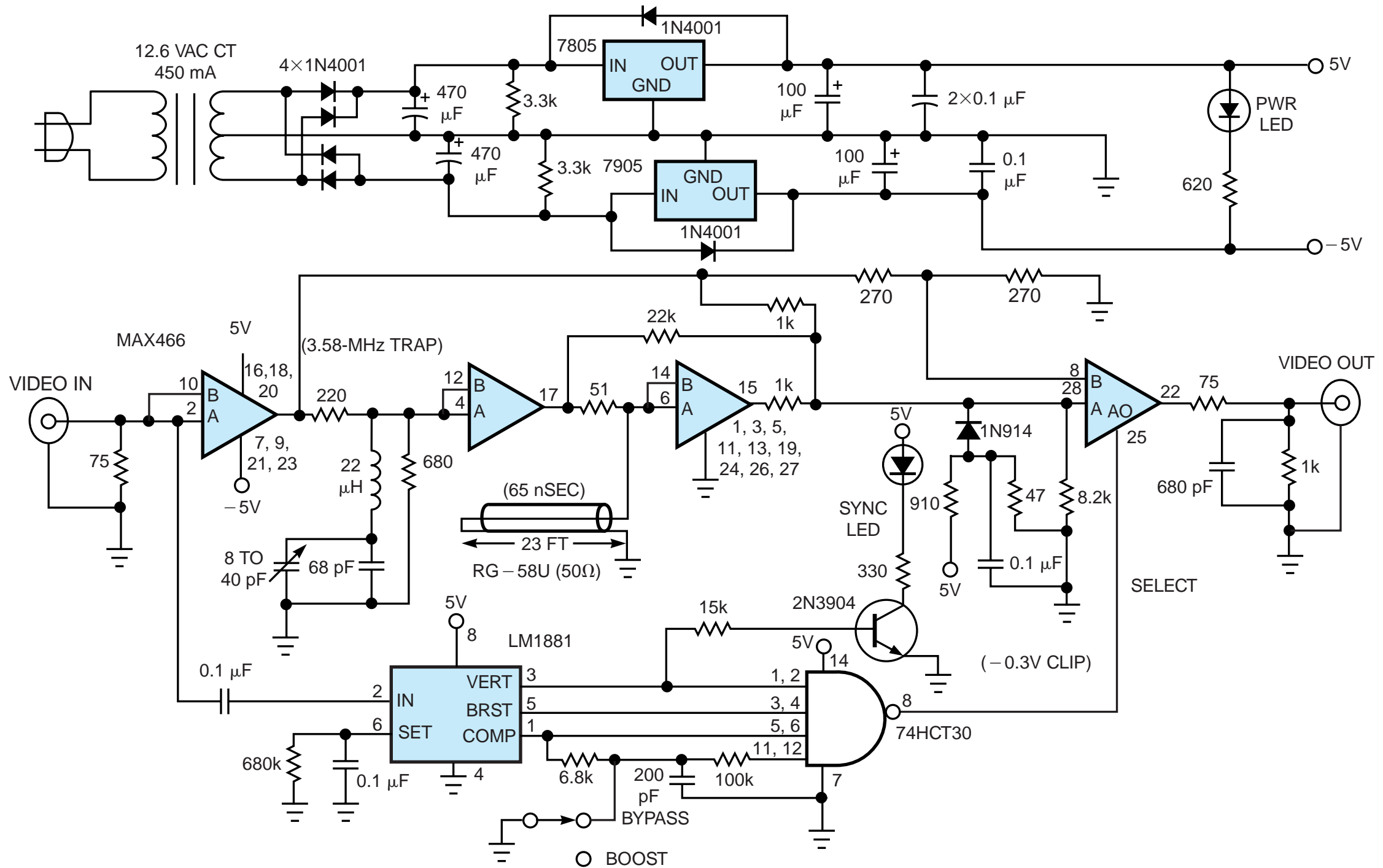


Figure 1



Using a delay line in place of the typical LC equalizer network allows this circuit to sharpen VCR images without introducing the artifacts commonly produced by commercial equalizers.