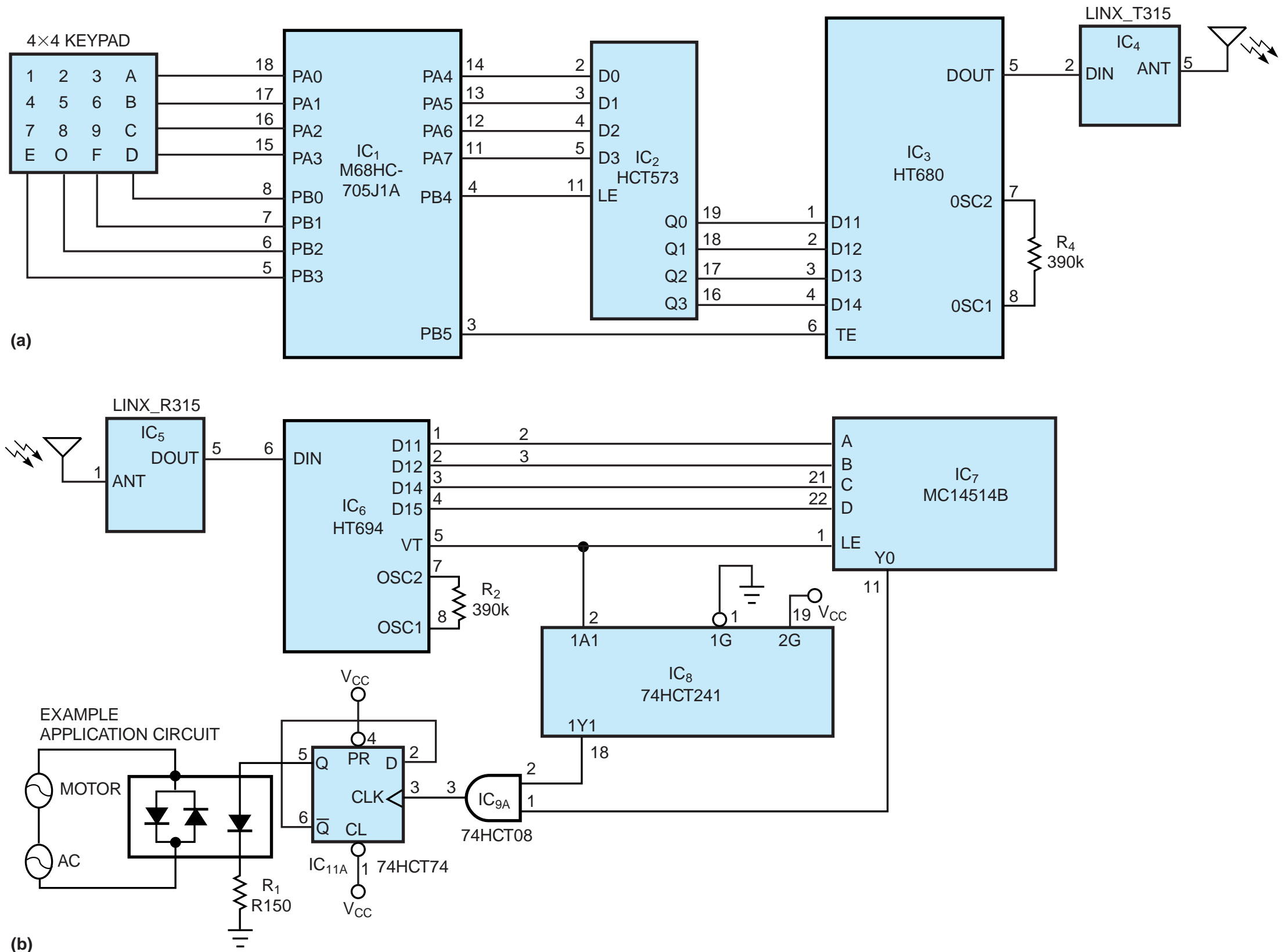


Figure 1



A simple 4X4 keypad gives you wireless control of 16 lines, using an inexpensive μC , a few logic blocks, and a transmitter/receiver module pair.