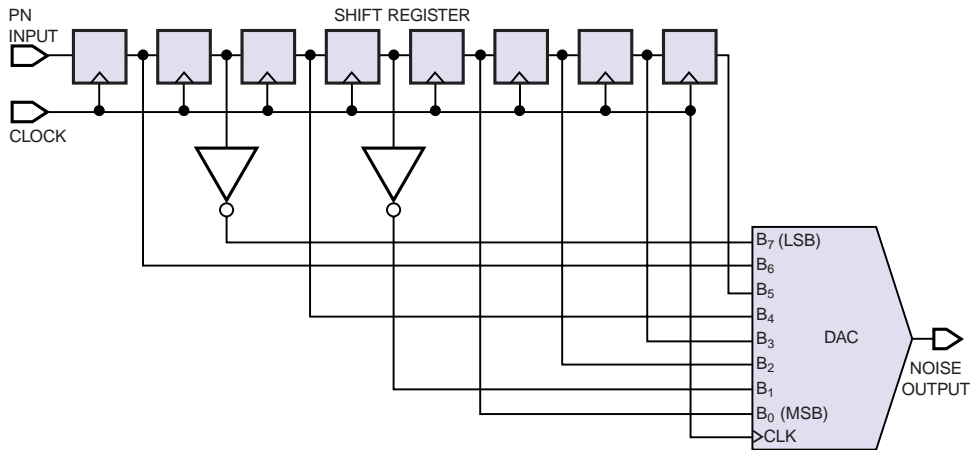


**Figure 2**



**The spectrum-flattening filter uses a unique interconnection between the shift register and the DAC inputs. You can combine the outputs of 12 such filters to generate Gaussian noise.**