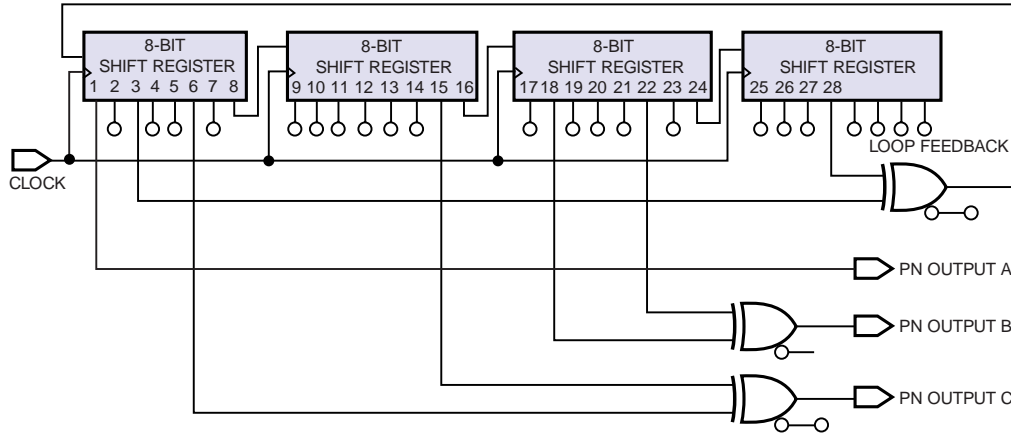


Figure 4



In a pseudorandom sequence, you can achieve taps many millions of bits apart by exclusive-ORing the shift-register bits. For example, the delay between outputs A and B is 77,111,602 bits and that between A and C is 199,945,782 bits. This number provides effectively uncorrelated output sequences.