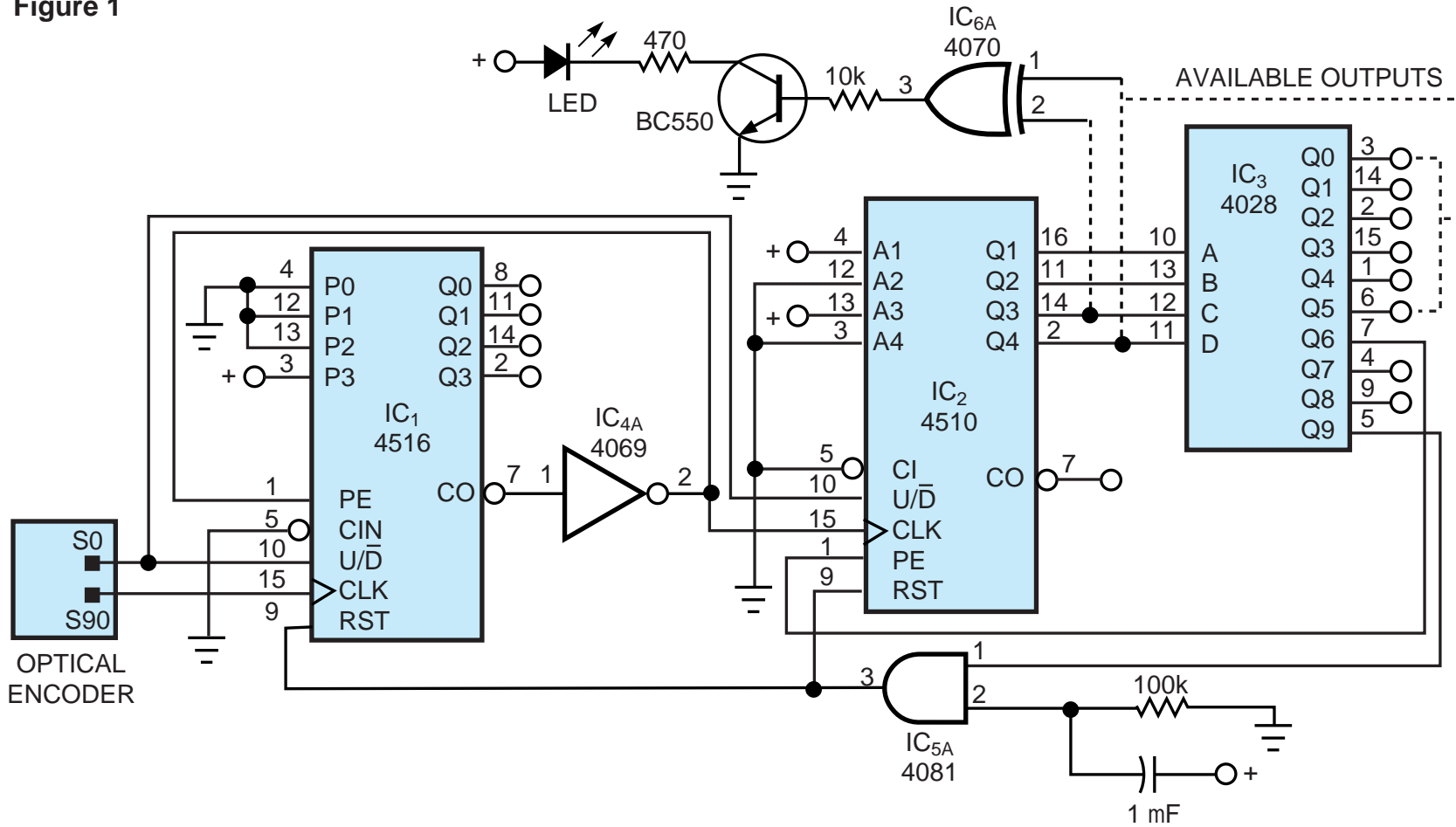


Figure 1



An optical encoder, immune to false switching, takes the place of a counter-controlled range switch.