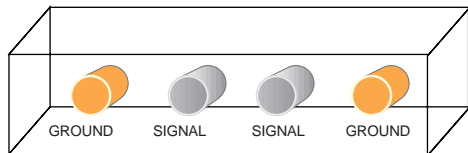
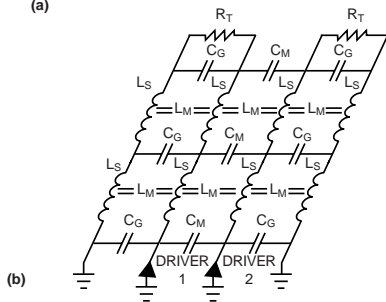


Figure 1



(a)



(b)

**A simple interconnect structure consists of two inner signal conductors and two outer return paths (a). The corresponding lossless circuit model includes near-end driver-and-ground connections as well as far-end terminations (b).**