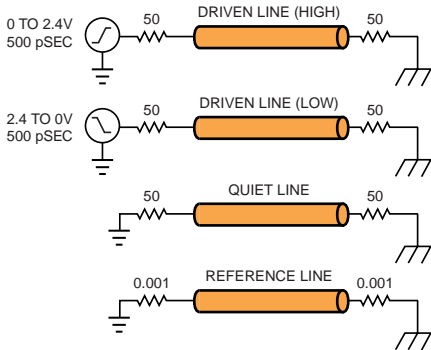


Figure 3



Each HSpice simulation uses the same circuit connections to drive the pins.