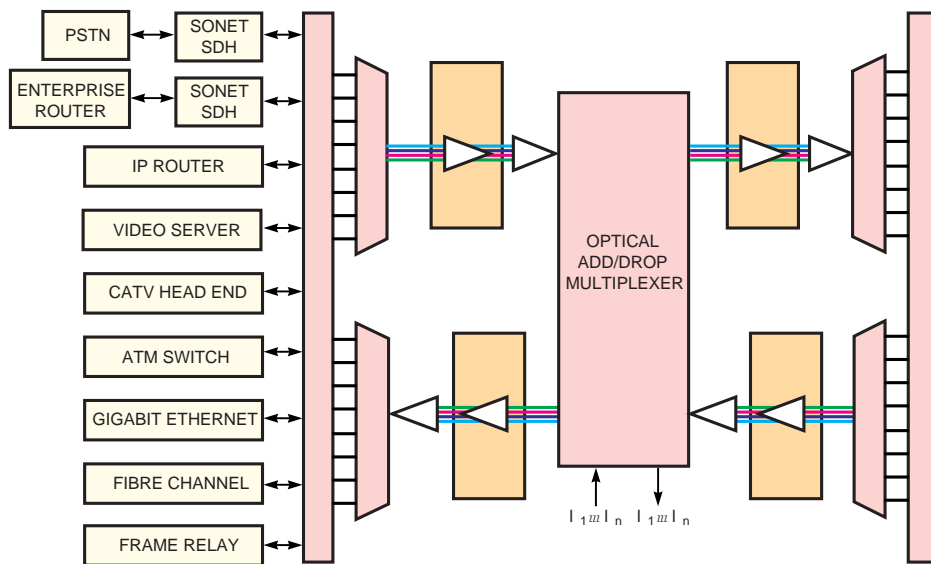


Figure 4



NOTE:  =OPTICAL-LINE AMPLIFIER.

The DWDM multiplexer accepts any optical signal, independent of the protocol or the bit rate.