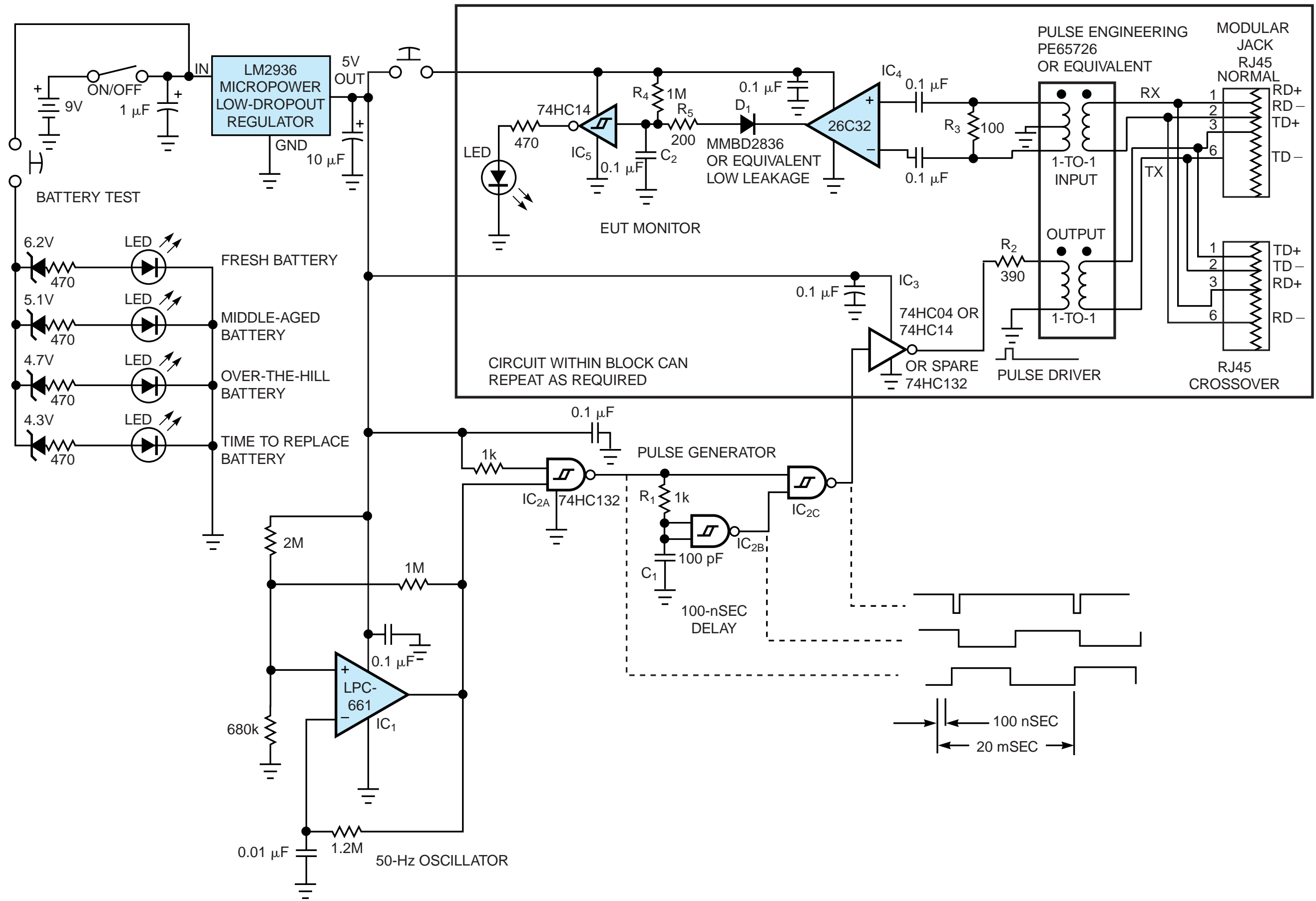


Figure 1



A useful test jig, which includes an equipment-under-test (EUT) monitor and pulse-driver circuit, evaluates RF emissions from Ethernet unshielded-twisted-pair LAN-interface devices without contaminating the measured results with its own RF-emissions.