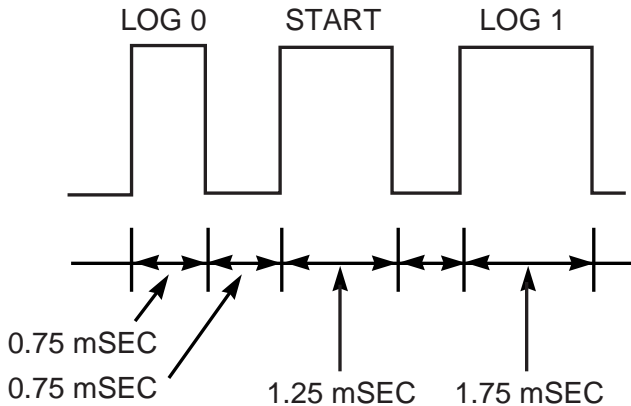


Figure 1



Pulse-width ratios provide a convenient way to transmit serial data between μ Cs lacking communications amenities.