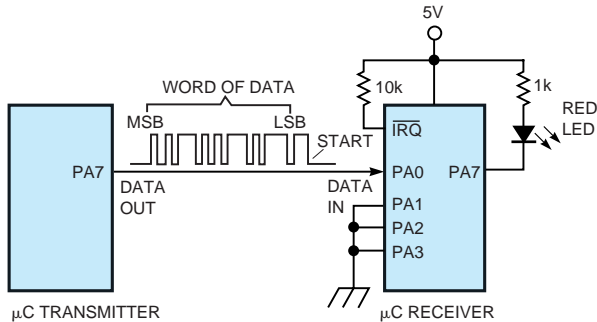


## Figure 2



With the help of some  $\mu\text{C}$  software, a simple one-wire connection provides serial communications between low-cost  $\mu\text{C}$ s.