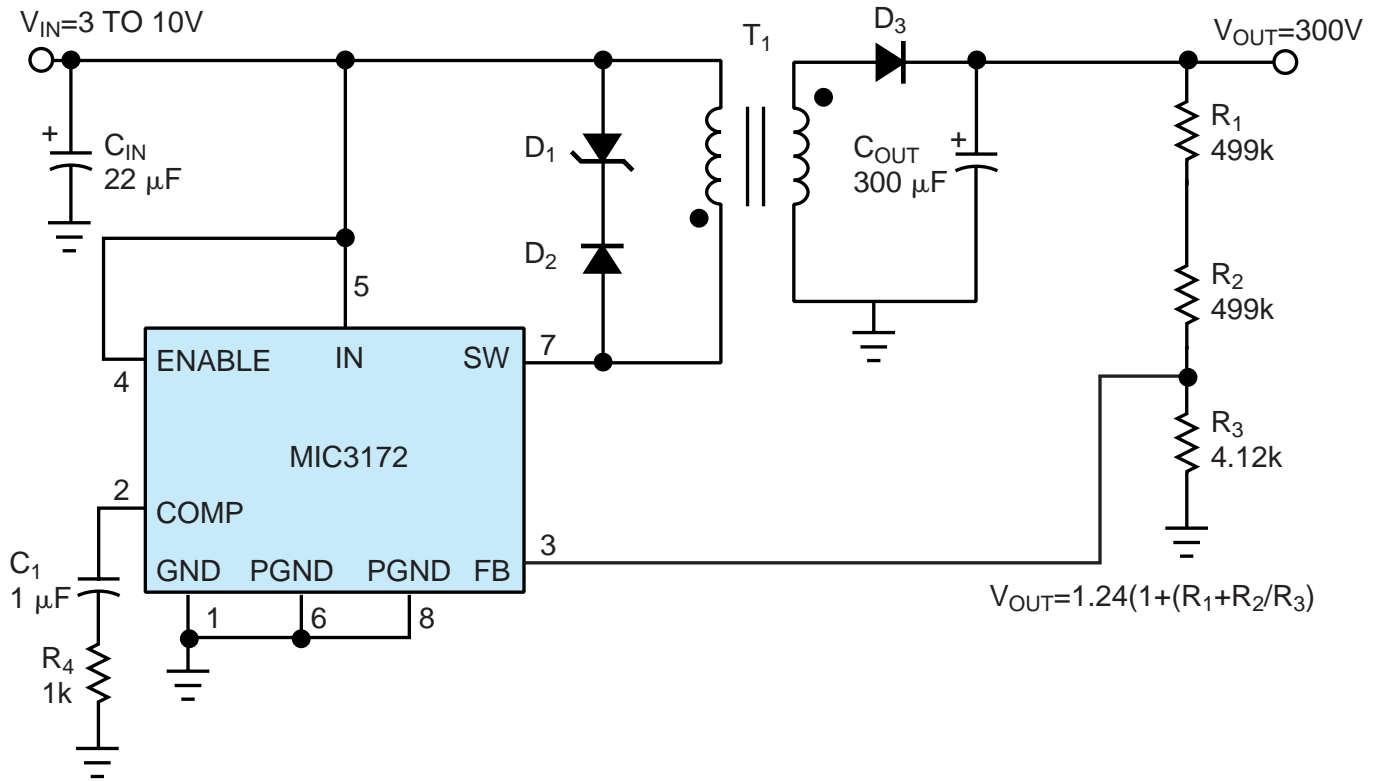


Figure 1



**NOTES:** IC=MICREL MIC3172BM BOOST-CONVERTER IC.

$C_{IN}$ =AVX TPS SERIES TANTALUM.

$T_1$ =1-TO-30 STEP-UP FLYBACK TRANSFORMER; LPRI=35  $\mu$ H;

COILTRONICS P/N CTX04-13770.

$D_1$ =MOTOROLA 1SMB5927BT3, 12V ZENER.

$D_2$ =MOTOROLA MBRS130LT3, 1A, 30V.

$D_3$ =MOTOROLA MURS160T3, 1A, 600V.

$R_1$  TO  $R_4$ =METAL-FILM RESISTORS, 1206 (200V RATED).

$C_1$ =CERAMIC CAPACITOR, X7R SERIES.

Generate 300V from a low-voltage source, using this simple, low-parts-count circuit.