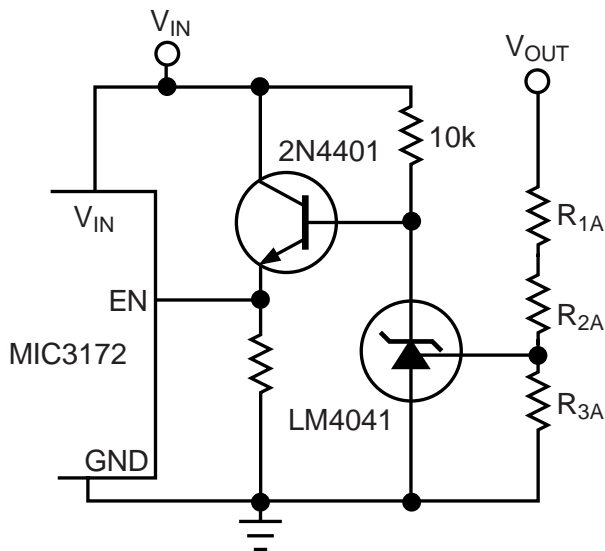


Figure 2



Avoid the exploding-capacitor syndrome by using this overvoltage-protection circuit with the circuit of Figure 1.