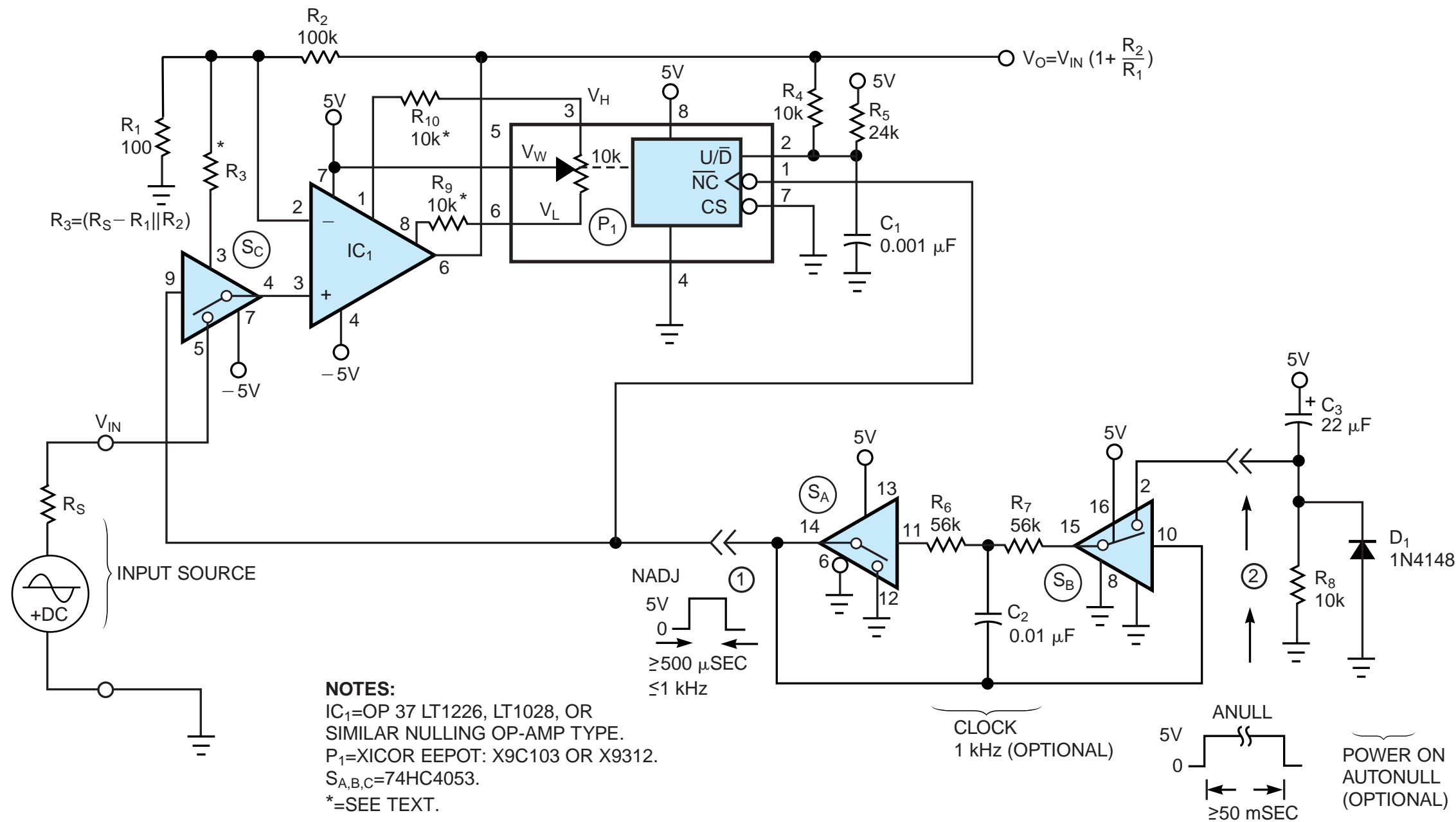


Figure 1



Have your cake (high speed) and eat it (low dc errors) too, with this autonulling circuit, using a digitally controlled potentiometer.