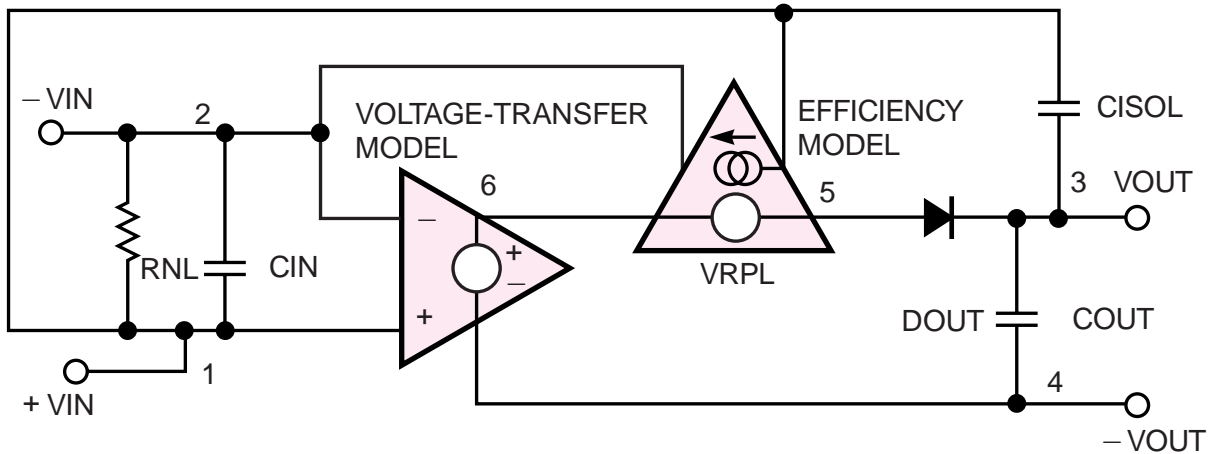


Figure 1



The dc/dc-converter model uses a voltage-controlled voltage source to emulate the converter's voltage transfer and a current-controlled current source to emulate the ripple and efficiency characteristics.